



Garden Reach Shipbuilders & Engineers Limited

(A Govt. of India Undertaking Under Ministry of Defence)

43/46, GARDEN REACH ROAD, GRSE MAIN UNIT KOLKATA - 700024

GST Registration No. 19AAACG9371K1Z4

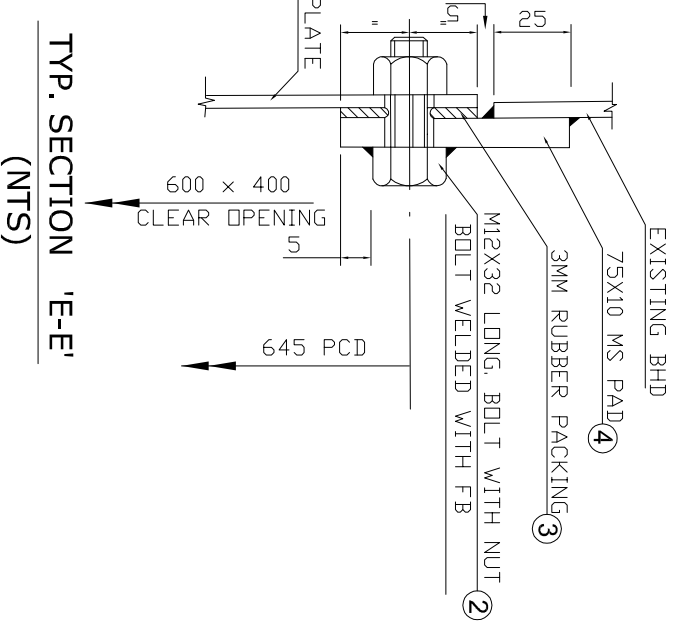
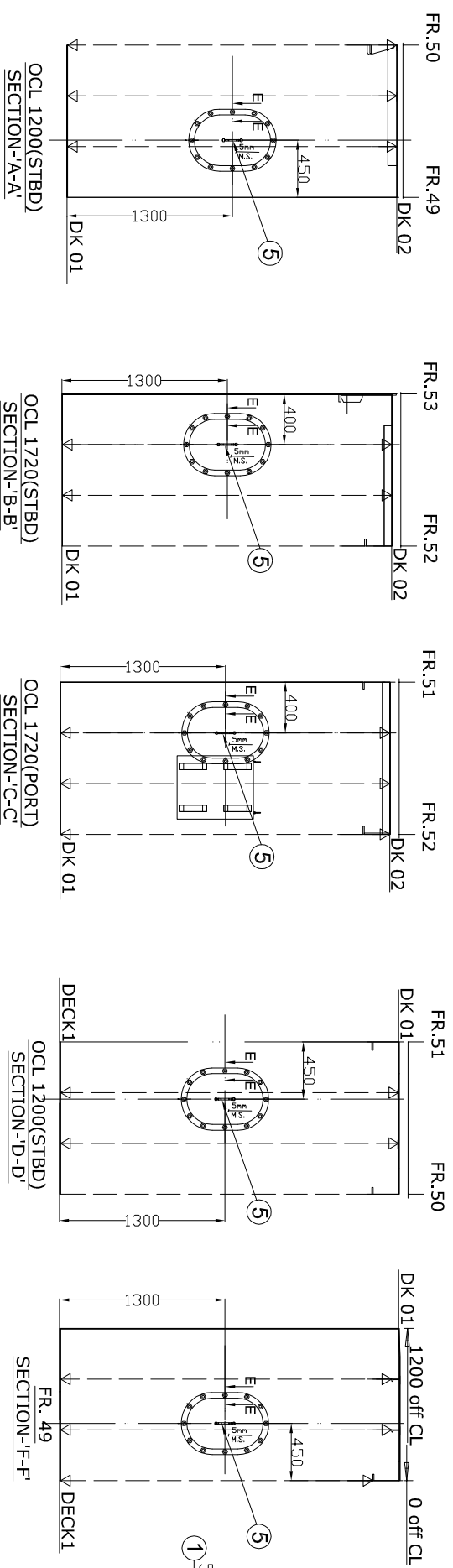
CORRIGENDUM FOR CHANGE OF E-TENDER CLAUSE

Tender No. NCM/NC/SVL/OT/STANCHION /RA-1806

Items: SUPPLY OF STANCHIONS WITH EYE PLATE, STANCHIONS WITH BASE PLATE AND MS NWT BOLTED PLATE FOR YARD 3025, 3026, 3027 AND 3028 (SVL)

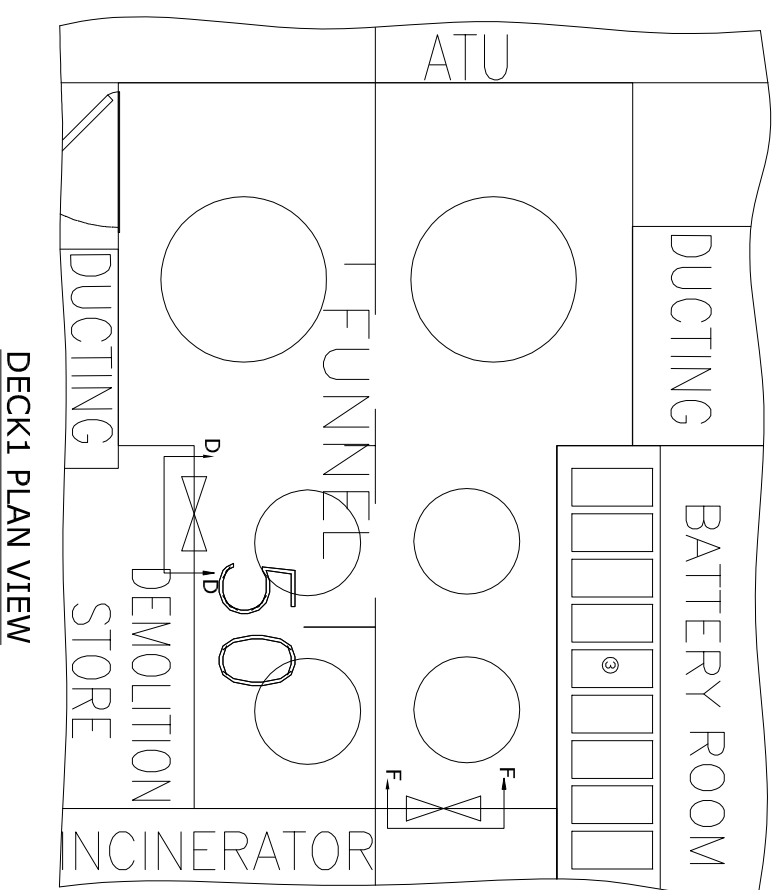
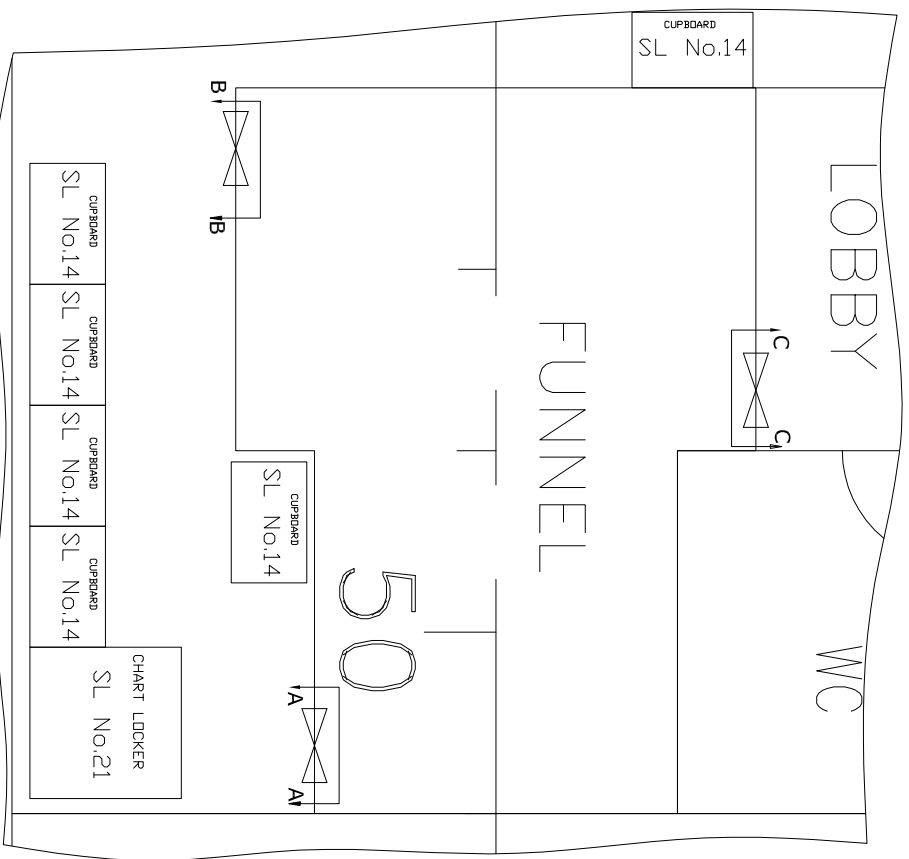
Scope of work : - Incorporation of "Drawing No. GC168000001 against indent no. 1000040017-18,30

Signatory Authority



SL NO.	DESCRIPTION	SIZE	QTY. / COVER	MATERIAL
1.	PORTABLE PLATE	690X490X5	1 NO.	MS-IS:2062.G-B
2.	HEX HEAD BOLT, NUT & WASHER	M12X32	12 SET	STEEL
3.	RUBBER PACKING	AS REQD.	AS REQD.	RUBBER/LEATHER
4.	M.S. PAD	75X10	-	MS-IS:2062.G-B
5.	FOLDABLE HAND GRIP (WITH END SOCKET TO SUIT)	12mm DIA. ROD	1 NO.	MS-IS:2062.G-B

- NOTE:**
1. ALL DIMENSIONS ARE IN MM.
 2. TOTAL qty. 5 nos/ship.
 3. ALL SHARP EDGES ARE TO BE SMOOTHENED.
 4. FINISH: FINAL COAT AS PER PAINT SCHEME & PRIMED WITH 2 COATS OF EPOXY RED OXIDE PRIMER.
 5. ALL SHARP EDGES ARE TO BE SMOOTHENED.
 6. RUBBER PACKING ARE NOT TO BE PAINTED & TO BE MADE FROM SINGLE SHEET(WITHOUT JOINT).



DK01 PLAN VIEW

DECK1 PLAN VIEW

		CENTRAL DESIGN OFFICE	
		CLIENT	GROUP
INDIAN NAVY		YARD	SHIP
3025-28 SURVEY VESSEL(L)		HOF	
TITLE : BOLTED COVER PLATE FOR MAINTENANCE OF SILENCERS IN FUNNEL			
DRAWN	S. CHANDA	SCALE	DRAWING NO.
CHECKED	S. PAL	A3	1:50
APPROVED BY			REV

GARDEN REACH SHIPBUILDERS & ENGINEERS LTD. KOLKATA-700024

गार्डेन रीच शिपबिल्डर्स एण्ड इंजिनियर्स लिमिटेड
Garden Reach Shipbuilders & Engineers Limited
(A Govt. of India Undertaking) Ministry of Defence

43/46 गार्डेन रीच रोड,
कोलकाता - 700 024

43/46 Garden Reach Road,
Kolkata - 700 024
CIN: U35111WB1934GOI007891

TENDER FOR SUPPLY OF "STANCHIONS WITH EYE PLATE, STANCHIONS WITH BASE PLATE AND MS NWT BOLTED PLATE" FOR YARD 3025, 3026, 3027 AND 3028 (SVL)
GRSE ET NO: NCM/NC/SVL/OT/STANCHION /RA -1806

WEB TENDER NOTICE

(Instructions to Bidders is placed at Annexure -I)

1. Two Bid Offers:

Offers are invited in two bid system through GRSE e-procurement mode from the vendors/manufacturers having experience for supply of "**STANCHIONS WITH EYE PLATE, STANCHIONS WITH BASE PLATE AND MS NWT BOLTED PLATE**" for GRSE Yard 3025 - 3028 as per specification & scope mentioned in relevant SOTR and DRG. For any clarification on techno-commercial issues, please write to us on email id: Mr. Mridul Biswas, DGM (CDO), e-mail id:- Biswas.Mridul@grse.co.in for technical quarry and Mr. Neelesh Chouksey, DM (Commercial), Chouksey.neelesh@grse.co.in for commercial issue.

2. Last date of Receipt of Tender on portal: 14.02.2022 at 12:00 NOON

3. Date & Time of opening of Tender: 16.02.2022 at 2:30 PM

Note : GRSE reserve the right to extend tender due date or open the bids without extending the tender , it is completely under purview of GRSE.

4. Description of Material (in brief):

Supply of "Stanchions with Eye Plate, Stanchions with Base Plate and MS NWT Bolted Plate.

5. Technical Specification & Scope of Supply:

Details as per relevant SOTR and DRG.

6. Other Commercial Terms:

As per Special terms and Conditions-Annexure III.

7. Tender Download website:

Tender can be down loaded from GRSE web site www.grse.nic.in and can be viewed from <http://eprocure.in/cppp> also.

8. Earnest Money Deposit (interest free):

- Bidder are **not** required to submit any amount as EMD / Bid Security in form of any negotiable instrument against this tender. However in lieu of that, a **Bid Security Declaration** has to be submitted as per attached format with tender. In case of withdrawal of the bid / fail or refuse to execute the contract / fail or refuse to furnish the

security deposit, punitive action will be taken against the bidder by imposition of tender holiday for the period of 03 (Three) years.

- b. MSE registered firm having the tendered item listed in their MSE documents will be eligible for exemption from submitting **Bid Security Declaration**.
- c. Non submission of **Bid Security Declaration** or Non submission of a valid MSE certificate may lead to offer rejection.

NOTE: Scanned copy of DD for EMD and Tender Fee to be uploaded with Part -I bid (Techno commercial Bid). However original DD of ~~EMD and~~ Tender Fee must be deposited physically in a sealed envelope superscripting "Original DD for ~~EMD and~~ Tender Fee for mentioning the Tender no. Due date Item etc. on or within seven working days from the Tender closing date to NCM. Dept.. Offer will not be considered if original DD for Tender fee ~~and EMD~~ not received within 07 days from tender closing date.

d. Tender Fees:

Tender fees (non-refundable) of Rs. 0 (Rupees "Zero" only) payable by Crossed Banker's Cheque or Bank Drafts or pay order drawn in favour of "Garden Reach Shipbuilders & Engineers Ltd" to be submitted by the bidder. Scanned copy to be uploaded along with the part-I i.e techno-commercial bid and original to be submitted within 07 days from the date of opening of techno-commercial bid. If original Tender Fee DD not received within 07 days from tender opening due to any reason, bidder will be liable for that and offer is liable for rejection. MSE vendors and SSI Units registered with NSIC are exempted from the tender fee subject to they have submitted the relevant certificate along with the techno-commercial bid valid as on tender opening date. (valid Relevant document, Entrepreneurs Memorandum (EM Part-II)/ NSIC Certificate/ Udyog Aadhar Memorandum(UAM) for manufacture/ supply of concern equipment/item must be submitted along with the offer for such purpose to claim the benefit). Offer will be liable for rejection for non receipt / submission of relevant document against claim of non submission of Tender fee.

e. In case of withdrawn of offer by any participated firm at any stage of finalization of the order, GRSE may take the following actions:-

- (i) Issue of tender holiday to the firm.
- (ii) Firm's may not be issued tender for similar items for a specific period/ project etc.
- (iii) In case the firm, participated in open tender, the offer may be rejected.
- (iv) Firm will be restricted for vendor registration at GRSE/renewal of vendor registration at GRSE.
- (v) In addition with the above , GRSE will take necessary action against the firms as deemed fit.

f. List of Enclosure/Annexures:

Sl.	Documents / Format	Annex. No
1.	Instructions To Bidders	I
2.	SOTR No. as per relevant SOTR	II
3.	Special Terms and Conditions	III
4.	Compliance Matrix for SOTR	IV
5.	Technical Bid	V
6.	Commercial Bid	VI
7.	Blank Price Bid	VII

8.	PBG Format	VIII
9.	Bid Security Declaration	IX
10.	SDBG Format	X
11.	Declaration for Banned / Delisting / Tender Holiday/ Risk Purchase by any PSU	XI
12.	GRSE STACS-PE-INDG (August - 2006)	XII
13.	GRSE STACS-PE-INDG (August - 2006)- ACCEPTANCE MATRIX	XIII

Neelesh Chouksey
Dy. Mgr
(Commercial)

गार्डेन रीच शिपबिल्डर्स एण्ड इंजिनियर्स लिमिटेड
Garden Reach Shipbuilders & Engineers Limited
(A Govt. of India Undertaking) Ministry of Defence

43/46 गार्डेन रीच रोड,
कोलकाता - 700 024

43/46 Garden Reach Road,
Kolkata - 700 024
CIN: U35111WB1934GOI007891

TENDER FOR SUPPLY OF "STANCHIONS WITH EYE PLATE, STANCHIONS WITH BASE PLATE AND MS NWT BOLTED PLATE" FOR YARD 3025, 3026, 3027 AND 3028 (SVL)
GRSE ET NO: NCM/NC/SVL/OT/STANCHION /RA -1806

WEB TENDER NOTICE

(Instructions to Bidders is placed at Annexure -I)

1. Two Bid Offers:

Offers are invited in two bid system through GRSE e-procurement mode from the vendors/manufacturers having experience for supply of "**STANCHIONS WITH EYE PLATE, STANCHIONS WITH BASE PLATE AND MS NWT BOLTED PLATE**" for GRSE Yard 3025 - 3028 as per specification & scope mentioned in relevant SOTR and DRG. For any clarification on techno-commercial issues, please write to us on email id: Mr. Mridul Biswas, DGM (CDO), e-mail id:- Biswas.Mridul@grse.co.in for technical quarry and Mr. Neelesh Chouksey, DM (Commercial), Chouksey.neelesh@grse.co.in for commercial issue.

2. Last date of Receipt of Tender on portal: 14.02.2022 at 12:00 NOON

3. Date & Time of opening of Tender: 16.02.2022 at 2:30 PM

Note : GRSE reserve the right to extend tender due date or open the bids without extending the tender , it is completely under purview of GRSE.

4. Description of Material (in brief):

Supply of "Stanchions with Eye Plate, Stanchions with Base Plate and MS NWT Bolted Plate.

5. Technical Specification & Scope of Supply:

Details as per relevant SOTR and DRG.

6. Other Commercial Terms:

As per Special terms and Conditions-Annexure III.

7. Tender Download website:

Tender can be down loaded from GRSE web site www.grse.nic.in and can be viewed from <http://eprocure.in/cppp> also.

8. Earnest Money Deposit (interest free):

- Bidder are **not** required to submit any amount as EMD / Bid Security in form of any negotiable instrument against this tender. However in lieu of that, a **Bid Security Declaration** has to be submitted as per attached format with tender. In case of withdrawal of the bid / fail or refuse to execute the contract / fail or refuse to furnish the

security deposit, punitive action will be taken against the bidder by imposition of tender holiday for the period of 03 (Three) years.

- b. MSE registered firm having the tendered item listed in their MSE documents will be eligible for exemption from submitting **Bid Security Declaration**.
- c. Non submission of **Bid Security Declaration** or Non submission of a valid MSE certificate may lead to offer rejection.

NOTE: Scanned copy of DD for EMD and Tender Fee to be uploaded with Part -I bid (Techno commercial Bid). However original DD of ~~EMD and~~ Tender Fee must be deposited physically in a sealed envelope superscripting "Original DD for ~~EMD and~~ Tender Fee for mentioning the Tender no. Due date Item etc. on or within seven working days from the Tender closing date to NCM. Dept.. Offer will not be considered if original DD for Tender fee ~~and EMD~~ not received within 07 days from tender closing date.

d. Tender Fees:

Tender fees (non-refundable) of Rs. 0 (Rupees "Zero" only) payable by Crossed Banker's Cheque or Bank Drafts or pay order drawn in favour of "Garden Reach Shipbuilders & Engineers Ltd" to be submitted by the bidder. Scanned copy to be uploaded along with the part-I i.e techno-commercial bid and original to be submitted within 07 days from the date of opening of techno-commercial bid. If original Tender Fee DD not received within 07 days from tender opening due to any reason, bidder will be liable for that and offer is liable for rejection. MSE vendors and SSI Units registered with NSIC are exempted from the tender fee subject to they have submitted the relevant certificate along with the techno-commercial bid valid as on tender opening date. (valid Relevant document, Entrepreneurs Memorandum (EM Part-II)/ NSIC Certificate/ Udyog Aadhar Memorandum(UAM) for manufacture/ supply of concern equipment/item must be submitted along with the offer for such purpose to claim the benefit). Offer will be liable for rejection for non receipt / submission of relevant document against claim of non submission of Tender fee.

e. In case of withdrawn of offer by any participated firm at any stage of finalization of the order, GRSE may take the following actions:-

- (i) Issue of tender holiday to the firm.
- (ii) Firm's may not be issued tender for similar items for a specific period/ project etc.
- (iii) In case the firm, participated in open tender, the offer may be rejected.
- (iv) Firm will be restricted for vendor registration at GRSE/renewal of vendor registration at GRSE.
- (v) In addition with the above , GRSE will take necessary action against the firms as deemed fit.

f. List of Enclosure/Annexures:

Sl.	Documents / Format	Annex. No
1.	Instructions To Bidders	I
2.	SOTR No. as per relevant SOTR	II
3.	Special Terms and Conditions	III
4.	Compliance Matrix for SOTR	IV
5.	Technical Bid	V
6.	Commercial Bid	VI
7.	Blank Price Bid	VII

8.	PBG Format	VIII
9.	Bid Security Declaration	IX
10.	SDBG Format	X
11.	Declaration for Banned / Delisting / Tender Holiday/ Risk Purchase by any PSU	XI
12.	GRSE STACS-PE-INDG (August - 2006)	XII
13.	GRSE STACS-PE-INDG (August - 2006)- ACCEPTANCE MATRIX	XIII

Neelesh Chouksey
Dy. Mgr
(Commercial)