



# Garden Reach Shipbuilders & Engineers Limited

(A Govt. of India Undertaking)

P-2/2, TARATALA ROAD, Kolkata - 700 088.

Ph: +91 33 2469-8138 / 2469 8139; Fax: +91 33 24698137

Home Page: [www.grse.gov.in](http://www.grse.gov.in); E-mail : [grsedkmc@gmail.com](mailto:grsedkmc@gmail.com)

## NOTICE INVITING TENDER

QS/03/0002

Tender no.: DKMC/AKS/ST/Torque Limiter/SVL/ET-1746.

DATE- 01.10.2021

Due Date: 11.10.2021, 12:00 Hrs.  
Tender Opening Time: 16.10.2021, 12:00 Hrs.

- Bids in Single Stage Two Bid System (Part – I: Techno- Commercial Bid and Part –II: Price Bid) are invited for Supply of **Torque Limiter Cum Flexible Coupling for Oceanographic Davit Winch YD-3025-28** from resourceful and financially solvent Vendors/Contractors having experience in similar work.  
Part – I: Techno – Commercial bid – ANNEXURE – A & B (it must contain only technical & commercial points against Annexure-I & II of the NIT and should not contain any price. If any price is indicated in Part – I, the offer will be treated as CANCELLED)  
Part – II: Price bid (containing only price)- ANNEXURE – C
- You will have to submit your bid in two part (Techno-Commercial as per Annexure – I, II &III of this NIT & price Bid) in e- procurement mode where all data sheet will be available for download. You are required to fill up the required field and upload the file. Price bid need to be filled up in given price bid data sheet only (ANNEXURE –C). No other attachment regarding price will be allowed, if attached the offer will be treated as cancelled. You should mention your offer Ref. No. Date in ANNEXURE – A, B & C.
- Nature of Tender: Limited
- Description of items: **Torque Limiter Cum Flexible Coupling for Oceanographic Davit Winch YD-3025-28.**
- Technical Specification and scope of supply: As per enclosed Annexure-I.
- General commercial terms and conditions: As per enclosed Annexure-II.
- Important Dates: -

I) Date of Publishing on Web	: 01.10.2021
II) Last date of collection of Tender drawings	: N/A
III) Pre Bid Meeting	: Not required. However, for any clarification please contact the undersigned.
IV) Last date of submission of Tender	: <b>11.10.2021 up to 12.00 P.M</b>
V) Date of opening of Tender- Part-I	: <b>16.10.2021 at 14.00 P.M</b>
VI) Date of opening Tender- Part II– Price Bid	: Date of opening of Price Bid to be notified after conclusion of TNC/CNC meetings and acceptance of Techno-Commercial offers.
- Price shall be firm & fixed till full execution of order at Kolkata basis.
- (a) Vendor should attach (Submit hard copy in case of large document) the following details with their Techno- Commercial bid:
  - PAN No.
  - GST registration no.(b) The bidder will particularly specify in their bid documents whether they have any arrangements for joint venture/consortium/partnership and the detailed documentary proof of evidence of such joint venture/consortium/partnership shall accompany the bid document for consideration thereof as a participant.
- Last date of submission of Bid/ date of opening of bid is indicated in Tender Document. Bidders may view the opening of tenders (Technical Bid) from their portal using their DSC. Tender is liable to be rejected if the requisite documents are not enclosed with the technical offer.
- Date of opening of offer (Price Bid) will be notified in due course after conclusion of TNC/CNC meetings and acceptance of Techno- Commercial offer. Price bids of the qualified vendors could be viewed by the bidders from their own portal.

12. Acceptance Format Matrix should be filled up and attached with techno-commercial bid as marks of acceptance of NIT/SOTR/STACs. In case of non-receipt of filled in STACs acceptance format matrix, it would be presumed that you have accepted all our terms & conditions as per GRSE tenders until & unless deviation is specially mentioned in offer.
13. Queries if any on SOTR or others Terms may be got clarified from Manager (Design)/DGM(DKMC-TU) prior to submission of offer.
14. **PBG:** Performance Bank Guarantee will be 10% of PO value.
15. **WEB Clause:** Bids are required to be submitted in TWO parts (Techno-Commercial bid & Price bid) in e-procurement mode through our e-portal <https://eprocurement.synise.com/grse> wherein all Data Sheets are available for download. Bidders need to download all Data sheets from the e-portal, fill-up and upload the same, using their Digital Signature Certificate (DSC). Price bid needs to be filled up in the given price bid data sheet only, if any other attachment regarding price is found, the offer will be treated as cancelled. A blank copy of Price bid is to be attached along with Techno-Commercial bid so as to verify that the items quoted confirm to the tender and SOTRs.
- (i) Part A: Techno-Commercial bid (it must contain only technical & commercial points and must not contain any price).
  - (ii) Part B: Price bid (containing only price).
- Acceptance Format is to be downloaded from the RFQ and after due completion the same is to be uploaded along with the e-quotation by the vendor to facilitate the buyer to know at a glance the acceptance or deviation by the vendor regarding the commercial terms & conditions of the RFQ (e-tender).
- No conditional offer and hard copy of offer will be accepted.

16. GRSE reserves the right to accept/ reject any Tender in full or in part without assigning any reason.

for GARDEN REACH SHIPBUILDERS & ENGINEERS LTD.

A.K.Sinha  
Manager(DKMC-TU)  
M/s Garden Reach Shipbuilders & Engineers Ltd.  
P-2/2 Taratala Road, Kolkata-700088.  
E-Mail: [sinha.ajaykumar@grse.co.in](mailto:sinha.ajaykumar@grse.co.in)  
Ph: 9831533034  
Tel: 2469-8138/8139 Ext-214/216.

**Enclosure List:**

1. Annexure-I: Scope of Work.
2. Annexure-II: SOTR.
2. Annexure-III: General Terms and Conditions of Tender.
4. Annexure-IV: Format of Bank Guarantee towards Satisfactory Performance.
5. Annexure-V: Standard Terms & Conditions

## ANNEXURE-I :

1. Scope of Work:

SL. NO.	INDENT NO.	SAP SL. NO.	INDENT ITEMS		UOM
			DESCRIPTION	QUANTITY REQ.	
1	1000039344	10	<b>Torque Limiter Cum Flexible Coupling(Slipping Clutch Cum Coupling) For Open Deck Marine Application YD-3025</b>	1	EA
2		20	<b>Torque Limiter Cum Flexible Coupling(Slipping Clutch Cum Coupling) For Open Deck Marine Application YD-3026</b>	1	EA
3		30	<b>Torque Limiter Cum Flexible Coupling(Slipping Clutch Cum Coupling) For Open Deck Marine Application YD-3027</b>	1	EA
4		40	<b>Torque Limiter Cum Flexible Coupling(Slipping Clutch Cum Coupling) For Open Deck Marine Application YD-3028</b>	1	EA

2. Scope of Inspection: Firm to submit OEM's Certificate of Compliance and all Test Certificates along with the material.

## **ANNEXURE-II**

### **STATEMENT OF TECHNICAL REQUIREMENT**

1. SOTR & Drawing enclosed as Encloser- I

## **ANNEXURE-III**

### **GENERAL TERMS & CONDITIONS OF TENDER**

1. **DELIVERY:** Delivery date of Torque Limiter Cum Flexible Coupling for Oceanographic Davit Winch YD-3025-28 is within 01 months from the date of LOI/P.O.
2. **PRICE:** Price shall be firm & fixed till full execution of order and F.O.R. GRSE(TU) Store at Kolkata basis.
3. **Documents to be submitted by the vendor at various stages of execution / manufacturing:**
  - a) Inspection Call.
  - b) Delivery Challan.
  - c) Inspection Reports with all correlated reports of Items carried out at vendor's premises.
  - d) Guarantee/Warranty Certificate.
  - e) Billing - Along with bill, vendor shall furnish following documents:
    - (i) Gate stamped Delivery Challan duly received by store.
    - (ii) One copy of each of the Documents, as indicated (a) to (d) above.
    - (iii) ICGRN in case of inspection by GRSE.
4. **Payment Terms:** 90% of Base Price with full taxes & duties within 30 days through ECS, after submission of bill with accepted Inspection Note, SAP generated Inspection Report & balance 10% after expiry of guarantee period. Alternatively, you will have to accept Performance Bank Guarantee for 3% of order value valid up-to Guarantee period for 100% payment.
5. **Liquidated damage:** L.D. for delayed delivery will be imposed @ ½ % per week or part thereof for undelivered materials subject to maximum of 5% of undelivered portion of order.
6. **Risk purchase:**

In case the progress of work is not found satisfactory and the contractor fails to maintain the delivery schedule, GRSE reserves the right to get the work done by alternative source at the risk and cost of contractor.
7. **Taxes & Duties:**

**GST will be paid by GRSE. Firm have to indicate GSTN No and HSN code for the product along with GST rate.**
8. **Validity of offer:**

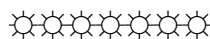
Your offer should remain at least valid for a period of 03 (Three) months from the due date of the submission of tender.
9. When an order is issued to a Vendor/ Contractor for execution of a particular job, the Contractor shall not subcontract the job/a part of the job without approval from the employer and without intimation of the name and credentials of the said subcontractor.
10. **Inspection Authority:** Against OEM test and compliance certificate.
11. **Individuality of contract:** This Contract should be treated as an individual contract and should not be related with other orders with GRSE in respect of progress of work or payment.
12. **Secrecy of information:** All drawings/documents are confidential in nature. The contractor should not copy any part of the drawing and return the drawings on completion of job/along with the offer.
13. **Vendor registration:** The bidders, if registered with the vendor registration cell of GRSE, have to indicate Supplier's SAP codes. Others, who are not registered vendor of GRSE, have to get registered, if selected.

14. **Force majeure:/ Arbitration:** GRSE's standard arbitration & Force Majeure Clauses are to be accepted by you.
15. Jurisdiction, Litigation, if any pertaining to this contract will come under the jurisdiction of High Court at Kolkata.
16. As a general rule, price negotiation with L1 vendor(s) will not be entered into as far as possible unless warranted by unreasonable price quoted, in the opinion of GRSE.
17. **Patent Right:** GRSE shall be completely absolved of any responsibility towards any infringement of Patent Right etc. i.e. a clear and quite possession of goods should take place with the passing of title on execution of the order.
18. **Guarantee/Warranty:** Against guarantee/warranty certificate, the Equipment/items supplied shall be guaranteed/warranted for satisfactory performance for the period of 36 months from the date of receipt in GRSE(TU) Store. During the Guarantee period, all defects arising out of improper design, defective material and faulty workmanship shall be rectified by repairing or replacing part or whole of the Equipment, as necessary, on free of charges basis by you.

If defects are not remedied within a reasonable/stipulated time, GRSE may proceed to rectify the defects at the supplier's risk and cost, but without prejudice to GRSE's rights under the Contract.

19. **Security Deposit & Performance Guarantee:** Security Deposit / Contract Performance Bank Guarantee of 5% & Performance Bank Guarantee of 10% of PO value are applicable for this tender. Vendor has to submit SD in form of BG within 15 days of receipt of P.O; otherwise interest will be levied as per prevalent rate. On completion of the order, you will have to submit the Equipment Performance Bank Guarantee from a reputed nationalized bank, for 10% of total order value valid for addition 4 weeks beyond the agreed of Guarantee period. Materials/Equipment/Spares to be supplied are guaranteed for free replacement/repairs, against defective design, material workmanship for a period of 36 months from the date of receipt of consignment at GRSE(TU) Store. GRSE reserves the right to invoke the above Bank Guarantee at any time during its validity period in the event of any breach of items stipulated in the order.
20. **Test/Guarantee Certificate:** Manufacturer's Test Certificate and catalogue of all items are to be submitted along with the material. In case Test Certificate is not made available at the time of dispatch, a Guarantee Certificate from the manufacture has to accompany the material confirming that the material/equipment has been manufactured strictly confirming to the specification mentioned in the order.
21. **Inspection:** All supplies will be subject to inspection and approval in our Yard. The rejected materials if any will have to be removed within 10 days from the date of rejection at your expenses. Such rejected stores lie at the supplier's risk from the time of rejection, and if not removed within the specified date the purchaser has the right to dispose of the same. The purchaser shall also be entitled to recover ground rent on their rejected stores after the expiry of the specified date.
22. **Right of Invocation of Bank Guarantee:** GRSE reserves the right to invoke the Bank Guarantee at any time during its validity period in the event of failure/delay in supply breakage any sorts of operational complication of ordered materials/breach of any terms of this contract.
23. **Submission of Documents:** All final documentation and drawings are required to be submitted within 30 days of receipt of P.O. For late submission of original dispatch documents/wrong documentation, demurrage / wharf age charges if incurred shall be recovered from the supplier.
24. **Rejection:** Rejection of materials and also the late delivery will affect further business with GRSE.
25. **Cancellation of Order:** GRSE reserves the right to cancel any order if placed in part/full without assigning any reason and with no financial implication.

26. **Arbitration:** In If at any time, before during or after the contract period, any unsettled claim, question, dispute or difference arises between the parties, upon or in relation to or in connection with or in any way touching or concerning this order, the same shall be settled/adjudicated through Arbitration to be conducted be a Sole Arbitration, to be appointed by the parties on mutual consent, in accordance with the provisions of Arbitration and Conciliation Act, 1996.
- i. In the event the parties fail to mutually appoint a Sole Arbitration within 30 days from the receipt of a request by one party from the other, then either of the parties may approach the Hon’ble high Court at Calcutta under the provisions of the Arbitration and Conciliation Act, 1996 for appointment of a Sole Arbitration by the Hon’ble Court.
  - ii. Such Arbitration shall, in all respects, be conducted in accordance with the provision of the Arbitration and Conciliation Act, 1996 and the rules framed there under or any statutory modification or re-enactment thereof for the time being in force.
  - iii. The Award of Sole Arbitration shall be final, conclusive and binding upon the parties.
  - iv. In the event of death or resignation or incapability or whatsoever of the said Sole Arbitrator if appointed by the parties mutually the said parties may again appoint a suitable Substitute Arbitration in place of the erstwhile Sole Arbitrator to continue with the proceedings. In the event of appointment of the Sole Arbitrator by the Hon’ble high Court at Calcutta on death or resignation or incapability or whatsoever of the said Sole Arbitrator, either of the parties in this behalf, may make an application on the Hon’ble high Court at Calcutta for appointment of a Substitute Arbitrator and the Hon’ble Court may pass such orders as it deems fit and proper.
  - v. Also in the event an Arbitration award is set aside by a competent court the parties may appoint a Sole Arbitration mutually or on failing to appoint a Sole Arbitration mutually within the statutory period then either of the parties may file an application before the Hon’ble high Court at Calcutta under the provision of Arbitration and Conciliation Act, 1996 for appointment a Sole Arbitrator by the Hon’ble Court in accordance with the provisions of the Arbitration & Conciliation Act.
  - vi. The cost of the Arbitration, fees of the arbitrator, remuneration of the stenographer and Clark, stamp paper etc. shall be shared equally by the parties, unless otherwise directed by the Sole Arbitrator. the venue of Arbitration shall be at Kolkata and unless otherwise decided by the parties or by the Sole Arbitrator himself, the venue shall be premises of Garden Reach Ship Builders & Engineers Ltd. located at 43, Garden Reach Road, Kolkata 700 024.
  - vii. The language of the proceeding shall be in English.”
27. **Compliance with Laws:** Vendor is warranted that all goods purchased against the enquiry shall conform with all applicable. City, States and Central Laws, Ordinances and Regulations. Further vendor shall indemnify defend/relieve GRSE harmless from loss, cost of damage, by reason or any actual or alleged violation thereof.
28. The company shall not be liable under the Workmen’s Compensation Act of 1923, in case any employee or workmen of any Contractor receives injury while actually serving his employer in connection with the latter’s work inside the compound of GRSE Ltd.
29. All other terms and condition will be as per GRSE STACs.



**Note:**

1. Techno-commercial bid will be opened on the due date and time of tender you may send your representative.
2. In case of non-receipt of filled in NIT/SOTR/STAC acceptance format matrix, it would be presumed that you have accepted all our terms & conditions as per GRSE tender until & unless deviation is specially mentioned in offer.
3. For any discrepancy between NIT (Notice Inviting Tender) and STAC, NIT statement may be taken as final.
4. Clarification required, if any, regarding Tender Document, should be got resolved by contacting competent authority of GRSE prior to submission of bid.

.....

**ANNEXURE-IV**  
**FORMAT NO. QS/03/0019**

**PROFORMA OF BANK GUARANTEE TOWARDS SATISFACTORY PERFORMANCE**

**THIS DEED OF GUARANTEE** made this .....day of .....**BETWEEN**.....(hereinafter called " **THE BANK** ") which expression shall unless excluded by or repugnant to the context, be deemed to include its successors in office and assigns of the **ONE Part and GARDEN REACH SHIIPBUILDERS AND ENGINEERS LIMITED**, having their Head Office at 43/46, Garden Reach Road, Calcutta – 700024 (hereinafter called " **THE BUYERS** ") which expression shall unless excluded by or repugnant to the context be deemed to include their successors in Office and assigns of the part **WHEREAS** Messers .....having its registered office at .....(hereinafter called " **THE SELLER** ") have accepted an Order No. ....for supply of .....from the Buyer to manufacture and deliver the same to Buyer in good condition .

**AND WHEREAS** it is one of the terms of the said order that the seller shall furnish to the Buyer a Bank Guarantee comprising .....% of the value of the order amounting to Rs. .... (Rupees..... only) for the satisfactory performance of the equipments supplied against the said order at least for a period of ..... from the date of supply i. e. from .....**AND WHEREAS** the Buyer has agreed to accept such Bank Guarantee .

**NOW THIS INDENTURE WITNESSETH THAT** in consideration of the premise the Bank hereby unequivocally undertakes and agrees with the Buyer to pay to the Buyer upon demand in writing whenever required so by them to do and within a fortnight from date of such demand sum or sums not exceeding in the whole of Rs. ....(Rupees..... only ) as may become payable to the Buyer by the seller by virtue of or arising out of the Terms and Conditions of the said Order.

Provided it is hereby expressly stipulated and agreed that if any question as to whether any sum has become payable by the seller to the buyer by virtue of or arising out of the said order, the decision of the Buyer will be final and conclusive and the Guarantee herein contained shall not be revocable by notice or by reason of dissolution or winding up of the business of the seller of any change in the constitution or composition of the seller's business and the liability of the bank under this presents shall not be impaired in any way by any extension of time or alteration made given conceded in the conditions of the said order or any other indulgence given by the buyer or by reasons of any failure on the part of the Buyer to enforce any of their remedies against the sellers and / or by reasons of failure on the part of the Buyer to observe or perform any of the stipulation contained in the said order and to be observed or performed by the sellers or by any other dealings between the Buyer and Seller whether any of the above takes place with or without the knowledge of the Bank and that the Guarantee herein contained shall remain in full force and virtue only . All claims and demands of the Buyer arising out of or in connection with the said order have been fully paid and satisfied **PROVIDED ALWAYS AND IT IS HEREBY AGREED BETWEEN THE PARTIES THAT** a Bank's liability under this Indenture shall remain in full force from the date of issue of the Guarantee till..... and is limited to a sum of Rs. ....(Rupees.....) only.

**NOTWITHSTANDING** anything stated above our liability under the Guarantee is restricted to Rs. .... (Rupees..... only ). Our Guarantee shall remain in force upto.....and unless a claim or demand in writing is made on the bank within 6 months from the date of expiry of the Bank Guarantee the bank shall be released and discharged from all liabilities thereunder.

Date: .....200

*Signature of Bank's Authorised Signatories with Code No., Name, Designation and Bank Stamp*



**GARDEN REACH SHIPBUILDERS & ENGINEERS LIMITED**

**43/46, GARDEN REACH ROAD  
KOLKATA – 700 024.**

**FORMAT OF BANK GUARANTEE TOWARDS SECURITY DEPOSIT.**

Ref: 1. BPE Notification No. BPE/G:032/78/1(4)/Adv(F)/69 dated 24.10.78.  
2. F.No.0(7)/B.O.III/75 dated 2.11.77.

**GUARANTEE BOND**

*(to be used by all scheduled banks)*

1. *In consideration of M/s. Garden Reach Shipbuilders & Engineers Limited, 43/46, Garden Reach Road, Kolkata – 700 024(hereinafter called "The Buyer") having agreed to exempt M/s..... (hereinafter called "The Party") from the demand, under the terms and conditions contained in the Tender/ Purchase order no.....dated ..... (hereinafter called "the said Tender/ Order") of security deposit for the due fulfillment by the said Party's of the terms and conditions contained in the said Tender, on production of a Bank Guarantee for Rs..... (Rupees..... only), we ..... Bank Limited (hereinafter referred to as "the Bank") do hereby undertake to pay to the Buyer an amount not exceeding Rs..... against any loss or damage caused to or suffered by the Buyer by reason of breach by the said Party of any of the terms or conditions contained in the said Tender.*
2. *We.....Bank do hereby undertake to pay the amounts due and payable under this Guarantee without any demur, merely on a demand from the Buyer stating that the amount claimed is due by way of loss or damage caused, to or would be caused to or suffered by the Buyer by reason of any breach by the said Party of any of the terms or conditions contained in the said Tender or by reason of the Party's failure to perform the said Tender. Any such demand made on the Bank shall be conclusive as regards the amount due and payable by the bank under this guarantee.*
3. *We.....Bank Limited further agree to the Guarantee herein contained shall remain in full force and effect during the period that would be taken for the performance of the said Tender. Order and that it shall continue to be enforceable till all the dues of the Buyer under or by virtue of the said Tender/Order have been fully paid and its claims satisfied or discharged or till the Chairman & Managing Director, Garden Reach Shipbuilders & Engineers Limited, certifies that the terms & conditions of the said Tender have been fully and properly carried out by the said Party and accordingly discharges the Guarantee. Unless a demand or claim under this Guarantee is made on us in writing on or before the..... we shall be discharged from all liability under this Guarantee thereafter.*
4. *We.....Bank Limited further agree with the Buyer that the Buyer shall have the fullest liberty without our consent and without affecting in any manner our obligations hereunder to vary any of the terms & conditions of the said Tender/Order or to extend time of performance by the said party from time to time or to postpone for any time or from time to time any of the powers exercisable by the Buyer against the said Party and to forbear or enforce any of terms and conditions relating to the said Tender/Order and we shall not be relieved from our liability by reason of any such variation, or extension being granted to the said Party or for any for bearance, act or omission on the part of the Buyer or any indulgence by the Buyer to the said Party or by any such matter of thing whatsoever which under the law relating to sureties would but for this provision have effect of so relieving us.*
5. *We.....Bank Limited lastly undertake not to revoke this Guarantee during its currency except with the previous consent of the Buyer in writing.*
6. *Notwithstanding anything contained here in above, the liability of the Guarantor under this Guarantee is restricted to Rs..... (Rupees..... only) and that this Guarantee shall remain in force until its expiry on the .....(date), unless a suit or action to enforce a claim under this Guarantee is made against the Guarantor within six months from the date of expiry, all the rights of the beneficiary under the said Guarantee shall be released and discharged from all liabilities thereof.*

For .....Bank Limited.

(seal)

Dated the .....day of .....200.....

GARDEN REACH SHIPBUILDERS & ENGINEERS LTD  
(A Govt. of India Undertaking)  
43/46, Garden Reach Road, Calcutta- 700 024.  
Fax : 033-469-8150/2020 ; Telephone : 469-8100 to 8113

**STANDARD TERMS AND CONDITIONS OF SUPPLY**

**(INDIGENOUS EQUIPMENT / MACHINERY)**

**REF. NO. GRSE-STACS-PE-INDG (AUGUST, 2006)**

**INDEX**

1. **GENERAL**
2. **QUOTATIONS AND ORDER ACCEPTANCE TERMS**
3. **PACKING, SHIPPING, INSURANCE & FREIGHT DETAILS, AND DELIVERY**
4. **GUARANTEE / WARRANTY**
5. **QUALITY CERTIFICATION**
6. **TERMS OF PAYMENT**
7. **QUALITY ASSURANCE, INSPECTION, TESTING AND COMMISSIONING ASSISTANCE**
8. **MISCELLANEOUS**

**ANNEXURE:**

- A. **STACS ACCEPTANCE FORMAT**
- B. **EMD BANK GUARANTEE FORMAT & GUIDELINE**
- C. **SECURITY DEPOSIT BANK GUARANTEE FORMAT & GUIDELINE**
- D. **PERFORMANCE BANK GUARANTEE FORMAT & GUIDELINE**
- E. **ECS FORMAT FOR BANK PARTICULARS & PAYMENT PROCEDURE**

 <b>GRSE Ltd.</b>	<b><u>STATEMENT OF TECHNICAL REQUIREMENT FOR SUPPLY OF TORQUE LIMITER CUM FLEXIBLE COUPLING FOR OCEANOGRAPHIC DAVIT &amp; WINCH.</u></b>	<b>SOTR NO: OW/SOTR/TORQUE LIMITER/202, Rev-0.</b>
<b>Project No: OCEANOGRAPHIC DAVIT &amp; WINCH</b>		<b>Page: 11 of 26</b>

**IN-1** GENERAL

**IN-101** The word 'Purchaser' refers to GARDEN REACH SHIPBUILDERS & ENGINEERS LIMITED, (GRSE), a Company registered under the Indian Companies Act 1913 and includes its successors or assigns.

**IN-102** The word 'Sub-contractor / Supplier / Vendor ' means the person / firm / Company who undertakes to manufacture and / or supply and / or undertake work of any nature assigned by the Purchaser from time to time and includes its successors or assigns.

**IN-103** The word 'Owner' means the person or authority with whom Garden Reach Shipbuilders & Engineers Limited (Purchaser) has contracted to carry out work in relation to which orders are placed by the Purchaser on the Sub-contractor / Supplier / Vendor under this contract for supply or manufacture of certain items and would include Department of Defence Production & Supplies, Ministry of Defence, Government of India, the Indian Navy, the Coast Guard and any other specified authority.

**IN-104** The equipment / products / items to be supplied shall be strictly in accordance with the Drawings / Specifications / Requirements indicated in the Tender / Inquiry / Order with deviations, if any, as mutually accepted.

**IN-105** The Sub-contractor / Supplier / Vendor shall not either wholly or partly sell, transfer, assign or otherwise dispose of the rights, liabilities and obligations under the contract between him and the Purchaser without prior consent of the Purchaser in writing.

**IN-106** The Sub-contractor / Supplier / Vendor shall hold harmless and keep the Purchaser indemnified against all claims arising as a result of infringement of any patent / copy rights on account of manufacture, sale or use of articles covered by the order. A clear & quite possession of goods should take place with the passing of the title on execution of order.

**IN-107** Any letter, facsimile message, e-mail intimation or notice sent to the Sub-contractor / Supplier / Vendor at the last known address mentioned in the offer / order shall be deemed to be valid communication for the purpose of the contract.

**IN-108** Governing Jurisdiction and Compliance with Laws

- (a) All contracts shall be deemed to have been wholly made in Kolkata and all claims thereunder are payable in Kolkata City and it is the distinct condition of the order that no suit or action for the purpose of enforcing any claim in respect of the order shall be instituted in any Court other than that situated in Kolkata City, West Bengal State, India.
- (b) The Sub-contractor/Supplier/vendor is warranted that all goods purchased against the enquiry shall conform with all applicable city, states & central laws, ordinances and regulations. Further, the supplier shall indemnify / defend / relieve GRSE harmless from loss, cost of damage, by reason or any actual or alleged violation thereof.
- (c) GRSE shall not be liable under the workmen's compensation Act of 1923, in case any employee or workmen of any contractor receives injury while actually serving his employer in connection with the latter's work inside the compound of GRSE Ltd.
- (d) The existing Laws on employment of Child Labor shall be binding for the contract.
- (e) Sub-contractor/Supplier/vendor working at GRSE site , shall have ESI and PF registration no. of their own and shall ensure compliance with all provisions of ESI & PF act & rules, failing which withholding / deductions from Sub-contractor/Supplier/vendor's bills /dues as applicable or termination of the contract will be effected. Sub-contractor/Supplier/vendor working at GRSE site , are required to submit evidence showing compliance with ESI & PF formalities in respect of employees engaged in job of GRSE viz. monthly challan of ESI deposit, certified copy of half yearly returns submitted to ESIC, proof of P.F. deposition etc.
- (f) Sub-contractor/Supplier/vendor working at GRSE site are required to comply with all statutory obligations as per Contract Labour (R & A) Act 1970 and Contract Labour (R & A) Central Rules 1971 including obtaintance /renewal of Labour Licence from Regional Labour Commissioner (Central) failing which deductions as applicable from bills / dues of contractor or termination of the contract may be effected.
- (g) All Sub-contractors/Suppliers/vendors engaged in shipbuilding work are required to obtain registration under the Building and Other Construction works (RE & CS) Act 1996 & Rules and are also required to maintain registers & records and submit returns.

**IN-109** The Sub-contractor / Supplier / Vendor shall unconditionally and free of cost to the Purchaser transfer information on technological developments / innovations / modifications which the Sub-contractor / Supplier / Vendor would evolve in future (within 3 years) in relation to the supplied equipment. To enable this, the Purchaser's address shall be added to the Sub-contractor's / Supplier's / Vendor's mailing list or database or any other document maintained for dissemination of product information and the Purchaser shall be informed of the action taken in this regard. If such improvements / modifications are brought in by the Sub-contractor's / Supplier's / Vendor's Design Department in course of manufacture of equipment ordered by the Purchaser, the Sub-contractor / Supplier / Vendor shall incorporate such improved versions in the equipment without any extra cost to the Purchaser.

**IN-110** If the Purchaser be desirous of getting incorporated all post supply modifications / improvements arising out of technological developments to the original equipment supplied by the Sub-contractor / Supplier / Vendor, the Sub-contractor / Supplier / Vendor, shall quote for and carry out all such modifications to the equipment.

- (a) Where the whole or a portion of the equipment has been specifically developed by the Sub-contractor / Supplier / Vendor for the Owner and the latter would, through the Purchaser, be bearing the entire or part of the development cost incurred by the Sub-contractor / Supplier / Vendor, the design rights for the whole or portion thereof, of the equipment as appropriate, shall vest in the Owners.
- (b) Prior approval of the Owner should be obtained before similar articles are sold / supplied to any other party other than the Owner. If such approval is given and sale is effected, the Sub-contractor / Supplier / Vendor shall pay to the Owner royalty at the rate mutually agreed to.

**IN-111** Secrecy:

All property (such as materials, drawings, documents etc) issued by the Purchaser or any other individual or firm on behalf of the Purchaser in connection with the contract shall remain confidential, being the property of the Purchaser and the Sub-contractor / Supplier / Vendor shall undertake to return all such property so issued and will be responsible for any or all loss thereof and damage thereto resulting from whatever causes and shall reimburse the Purchaser the full amount of loss and damage.

All information given to the supplier for the execution of the order is to be treated as SECRET / CONFIDENTIAL. The Technical information, Drawings, Specification and other related Documents forming part of this Enquiry /Order are the property of the Purchaser and shall not be used for any other purpose except for the execution of order. Any information / drawing etc. shall not be copied, transcribed, traced or reproduced in any other form or otherwise in whole / part or duplicated, modified, divulged and / or disclosed to a third party, not misused, used in any other form whatsoever without Purchaser's prior consent in writing except to the extent required for the execution of this order. At the time of tendering, the tenderer has to give an undertaking in favour of GRSE that in the event of any breach of the above provisions, he would make good of any loss /cost/damage / any other claim whatsoever preferred by anybody to GRSE in this respect.

**IN-112** Preservation:

A detailed procedure for long and short term preservation of the equipment and periodicity of preservation alongwith special preservatives, if required, prior to installation of the equipment shall be furnished by the Sub-contractor / Supplier / Vendor. The detailed procedure for de-preservation prior to commissioning shall also be furnished.

Should any material require any additional preservation till its final installation / fitment on board the Ship, the materials should be supplied in preserved (sealed or in cocoons) condition for long duration of time as per order. Detailed procedures for subsequent de-preservation / re-preservation are to be stated by Sub-contractor / Supplier / Vendor.

 <b>GRSE Ltd.</b>	<b>STATEMENT OF TECHNICAL REQUIREMENT FOR SUPPLY OF TORQUE LIMITER CUM FLEXIBLE COUPLING FOR OCEANOGRAPHIC DAVIT &amp; WINCH.</b>	<b>SOTR NO: OW/SOTR/TORQUE LIMITER/202, Rev-0.</b>
<b>Project No: OCEANOGRAPHIC DAVIT &amp; WINCH</b>		<b>Page: 12 of 26</b>

The preserved sealed cases / cocoons will not be opened on receipt and same will be opened when the first preservation is due or if required on board earlier. The short fall, discrepancy or damage, if any, found during the inspection after opening these cases will have to be replaced / made good by the supplier free of cost within reasonable period.

- IN-113 The Sub-contractor / Supplier / Vendor shall render free of cost guidance in case the Purchaser intends to set-up testing, repair / maintenance facility to overhaul the equipment supplied by the Sub-contractor / Supplier / Vendor.
- IN-114 The Sub-contractor / Supplier / Vendor shall continue to support the equipment for a minimum period of 20 years from the date of supply by making available spare parts and assemblies of the equipment supplied. Should the Sub-contractor / Supplier / Vendor decides to discontinue the product, for any reason whatsoever, adequate notice shall be given to the Purchaser / Owner to enable procurement of the requisite lifetime spares.
- IN-115 Purchase preference in respect of equipment / product and or services of Central Public Enterprises will be applicable for such / similar equipment / product / services on tender as per extant policy promulgated by Department of Public Enterprises, Government of India.
- IN-116 The Purchaser reserves the right to accept and or reject any or all tenders and / or to withdraw the tender in toto without assigning any reason whatsoever.
- IN-117 Registration as Approved Vendor:  
(a) The Sub-contractor/Supplier/vendor is to confirm whether they are registered with GRSE as approved Sub-contractor / Supplier / Vendor under 5-disit Supplier Code and indicate Product Group Code. If not registered, the Sub-contractor / Supplier / Vendor will have to approach GRSE's V R Cell for completion of all formalities for permanent registration with GRSE immediately after submission of any quotation/offer. Failure to comply to this requirement will result in rejection of offer and restriction of further business.  
(b) The bidder is to confirm whether they are registered with DGQA as approved vendor for supply of the category of item as tendered. If not registered, the bidder is to approach DGQA immediately for registration after complying with all formalities like capacity assessment for supply of the required category of equipment / item within a time frame of 6 weeks from placement of conditional order, if issued.
- IN-118 MOU : Regular suppliers are requested to enter into Memorandum of Understanding with GRSE as regards Commercial Terms & Conditions contained in this STACS.
- IN-119 Examination of price: Where the contract price has not been fixed in effective competition and the contract is not for articles whose prices are controlled, the owner reserves the right to investigate reasonableness of the price paid and negotiate directly with the sub-contractor/supplier/vendor for reduction of price where appropriate. The Owner can also ask for declaration that less basic price is not charged to other customers including Govt. and PSU.
- IN-120 Individuality of contract: In the event of the offer getting converted into an order, the said order shall be treated as an individual contract, shall not allow any general lien to the parties and shall not get prejudiced in execution due to situation arising out of some other contract that the supplier may have with GRSE.
- IN-2 Quotations and Order Acceptance Terms:  
IN-201 Tenderer shall pay special attention to the following points. Failure to comply with these may disqualify the tenderer.  
(a) Tender number and due date to be superscribed on all the envelopes.  
(b) Tender to be submitted on or before the due date and time.  
(c) Offer to be as per specifications and complying with tender conditions.  
(d) The envelopes to be sealed properly.
- IN-202 Unless otherwise stated, the offers shall be in 'Two Bid System' only, in two separately sealed envelopes: -  
(a) PART-I - 'Techno-Commercial Bid' and marked thus. In addition, Part-I shall include-  
(i) Proforma Price Schedule blanking the prices and indicating 'Quoted / Not Quoted' (as applicable against each item on tender).  
(ii) Duties / Taxes, Octroi, freight charges, insurance and/or any other Statutory levies payable, specifying incidence clearly / separately against each head.  
(iii) The cost incidence against each head clearly indicating for Door Delivery or F. O. R. or Ex-works alongwith charges for packing and forwarding.  
(iv) Compliance Statement clearly highlighting deviations / exceptions, if any, to Technical Specifications, Standard Terms and Conditions of Supply and Specific Tender Conditions. Non-specifying of deviations against any or all clauses would be construed as compliance to any / all conditions of tender. Any deviations to STACS, having financial implications, would be considered suitably for loading the quoted price. (STACS Acceptance Format is placed at Annexure 5).  
(v) Earnest Money Deposit (interest free) as stipulated in the tender by way of D.D. / Pay Order / B.G. (as per GRSE format & guide line at Annx.-1) issued by any scheduled Bank other than Co – operative Bank to be provided by the bidder / tenderer in favour of GRSE as per discretion of the Purchaser.  
(vi) Copy of ISO 9000 or equivalent Quality System Standards certificate valid as of date.  
(vii) Delivery Schedule.  
(viii) IIG Form regarding Codification of Defence Equipment enclosed with SOR is to be filled -in and submitted. The same is included as deliverables by the supplier.  
(ix) Standard format for data to be provided by OEM as per ILMS requirement (Integrated Logistic Management System):- As required by Indian Navy for operation of ILMS successfully at their end, detail information regarding ILMS compatibility as per format provided in SOR is to be filled in by OEMs and submitted to GRSE as part of their contractual obligations and to be included as deliverables.  
(b) PART-II – 'Price Bid' - Quotes to be written in figures and words duly authenticated / signed by the authorised person and marked thus.
- IN-203  
(a) Both these sealed envelopes-Part I and Part II, shall be put in a third envelope duly superscribing the Tender number and Due Date and sealed properly and deposited as specified in the enquiry in the securely locked Tender Box kept in the concerned deptt.  
(b) Outstation Bidder / Tenderer shall forward their offers addressed to concerned Authority either by courier service or by speed post so as to reach well in advance of the due date of tender or by hand delivery before due date and time of tender closing. Purchaser shall not be responsible for any postal / courier delay and it is attributable solely to the tenderer.  
(c) Offer in "Two Bid System" received by fax / e-mail and / or offers received beyond due date and time of tender is liable to be rejected.
- IN-204  
(a) The price per 'Ship set' shall be quoted and breakup price of individual items of equipment and its accessories must be clearly stated.  
(b) The cost incidence against each head shall be clearly indicated for –  
- Door delivery  
- F. O. R.  
- Ex-Works - with charges for packing and forwarding  
(c) The offer shall indicate the discounted price, if more than one shipset is ordered.

 <b>GRSE Ltd.</b>	<b><u>STATEMENT OF TECHNICAL REQUIREMENT FOR SUPPLY OF TORQUE LIMITER CUM FLEXIBLE COUPLING FOR OCEANOGRAPHIC DAVIT &amp; WINCH.</u></b>	<b>SOTR NO: OW/SOTR/TORQUE LIMITER/202, Rev-0.</b>
<b>Project No: OCEANOGRAPHIC DAVIT &amp; WINCH</b>		<b>Page: 13 of 26</b>

- (d) The offer shall clearly indicate the Foreign Exchange content, if any, and base Exchange Rate and cut off date for Import. If any item/s is / are required to be imported by the Sub-contractor / Supplier / Vendor for use in the manufacture of final product, Import Licence for such product/s is to be arranged by him only.
- (e) The vendor/supplier/sub-contractor shall indicate the bill of materials for intended import for incorporation in order. The purchaser shall issue Customs Duty Exemption Certificate on receipt of request from the vendor/supplier/sub-contractor along with the copies of bill of lading and invoice. The price advantage for Customs Duty Exemption will be passed on to the purchaser.
- (f) The purchaser reserves the right to investigate the reasonableness of the price and ask the vendor/supplier/sub-contractor for detail break up of their cost.

IN-205

- (a) The offer shall be valid for 90 days for acceptance and the prices shall remain firm and fixed until delivery of the full quantity of the goods in the Purchaser's Yard. If not, the Sub-contractor / Supplier / Vendor shall indicate the period during which the quoted price shall remain valid for supply of the equipment / article contracted for.  
Should the Purchaser desire postponement of delivery of the equipment / article within or beyond validity date of the offer, the Sub-contractor / Supplier / Vendor shall indicate –
- (i) The date by which such communication must be received by him for deferring delivery without any financial implication to the Purchaser,
- and
- (ii) Terms and conditions for effecting postponement of delivery beyond the price validity period.
- (b) Purchaser reserves the right to consider placement of Purchase Order in part or in full against the tendered quantity.

IN-206

The Sub-contractor / Supplier / Vendor shall inform the Purchaser in advance in case he is unable to participate in the tender for whatsoever reason. Failure to comply with this will be viewed seriously and consecutive three failures on the part of Sub-contractor / Supplier / Vendor to do so is liable for disqualification / debarring of the Sub-contractor / Supplier / Vendor from all future tender enquiries and or delisting from the list of 'Approved Registered Vendors.'

IN-207

Spares:

- (a) Offers for Testing and tuning / commissioning spares shall be supplied along with the main equipment, as specified in the requisition.
- (b) The Sub-contractor / Supplier / Vendors offer shall include a list of manufacturer's recommended spares together with itemised prices for
- One year uninterrupted operation – validity of offer shall be a minimum for 90 days.
  - Five year operation – validity of offer shall be a minimum for 180 days. (Minimum order quantity against each item, if applicable, may also be stated.)
- (c) While the spares for one year are ordered by the Purchaser, the spares for 5 years Operation will be ordered by the Owners or Purchaser. In case of 5 years operation spares, the Sub-contractor / Supplier / Vendor shall indicate a base price applicable to the year of quotation and indicate an acceptable annual escalation formula based on which prices for future requirements could be established during the life cycle of the equipment in service.
- (d) In the event of inability to make an offer for these spares at the time of quoting for main equipment, the Sub-contractor / Supplier / Vendor shall commit a date by which such an offer can be made and adhere to it. Non-receipt of offer as committed will render the order for main equipment liable for cancellation without notice from the purchaser and without any financial implication to the Purchaser.

IN-208

Tenders will be opened on the specified date and time in the concerned department. Only authorised representatives of tenderers are permitted to witness the Part I tender opening for Press tenders only. Tender opening shall neither be delayed nor withheld / postponed on account of absence of any one or more Tenderers. All the envelopes marked as 'PRICE BID' received at the time of Tender opening will be noted and held unopened separately.

IN-209

Authorised representatives of only technically qualified tenderers, in case of Press Tenders only, who have submitted EMD as applicable, and complied with tender terms, will only be permitted to be present and note the proceedings of the Price Bid - Part II opening in a manner as directed by the tender opening officers. Qualifying tenderers not present during price bid opening will not be furnished with information on prices at a later date. EMD of unsuccessful tenderers will be refunded / returned within 30 days of finalisation of order on surrendering the Original copy of Money Receipt and upon instruction of Purchaser. EMD, if not claimed within one year from the date of notification to the tenderer for refund, will be forfeited.

IN-210

With the acceptance of the successful bidder's offer by the Purchaser, which is as per the Terms and Conditions of the tender, by means of LOA / Purchase Order, the Contract is concluded.

The Sub-contractor / Supplier / Vendor shall, on receipt of the order, communicate his unconditional acceptance within two weeks of from the date of mailing / receipt of the same in its entirety by returning a copy of the Purchase Order duly signed by the authorised person and without any qualification. Communicating acceptance of the order subject to any other terms and conditions of the contract on the part of the Sub-contractor / Supplier / Vendor shall not bind the Purchaser in respect of these conditions which are less favourable to the Purchaser as compared with the conditions mutually agreed to and / or stipulated in the order. It shall be the responsibility of the Sub-contractor / Supplier / Vendor to enumerate specifically any error or discrepancy in the order at the time of acceptance. Failure to do so shall make the order binding on the Sub-contractor / Supplier / Vendor in all respects.

Any delay in acknowledging the receipt of the Purchase Order within the specified time limit or any qualification or modification of the Purchase Order in the acknowledgement of the Purchase Order by the Sub-contractor / Supplier / Vendor shall be a breach of the contract on the part of Sub-contractor / Supplier / Vendor. Compensation for the loss caused by the breach will be recovered by the Purchaser by forfeiting the Earnest Money, given by the Sub-contractor / Supplier / Vendor. If the Sub-contractor's / Supplier's / Vendor's bid contains any condition and any correspondence which are contrary to the Notice Inviting Tender (NIT) then they shall be considered as superseded and void on the acceptance of the bid by the Purchaser.

Recovery of compensation by the Purchaser from the Sub-contractor / Supplier / Vendor by forfeiting the Earnest Money shall be regarded as cancellation of the contract which has come in to existence on the acceptance of the offer by the Purchaser.

IN-211

Security Deposit (Interest free) :

The successful Tenderer shall submit a Security Deposit as specified in the tender in the form of Demand Draft / Pay Order / Bank Guarantee (as per GRSE format & guide lines at Annex-2) issued by any scheduled Bank other than Co-operative Banks in favour of Purchaser. The Security Deposit will be returned only after the successful execution of the order. In the event of failure to execute the order satisfactorily or default by the Sub-contractor / Supplier / Vendor, the Security Deposit will be forfeited.

IN-212

Unless otherwise specified in the 'Statement of Requirement' / 'Technical specifications for Procurement', the supply shall include one set of reproducible Velographs stamped 'Approved' by the Inspecting Authority, micro-films, floppies / CDs and six sets of paper prints. It shall also include 15 sets each of the Operation / Maintenance Manuals, Part Identification List, Comprehensive Part List, Test Certificates / Shop Trial reports etc. of the article/s supplied.

IN-3.0

Packing, Shipping, Insurance & Freight details and Delivery:

IN-301

Identification of Deliverables And Penalty For Non-Compliance:

 <b>GRSE Ltd.</b>	<b><u>STATEMENT OF TECHNICAL REQUIREMENT FOR SUPPLY OF TORQUE LIMITER CUM FLEXIBLE COUPLING FOR OCEANOGRAPHIC DAVIT &amp; WINCH.</u></b>	<b>SOTR NO: OW/SOTR/TORQUE LIMITER/202, Rev-0.</b>
<b>Project No: OCEANOGRAPHIC DAVIT &amp; WINCH</b>		<b>Page: 14 of 26</b>

- (a) The Supplier on receipt of Purchase Order and by a date not later than 8 weeks from receipt of P.O., shall list out and confirm all deliverables including Main Equipment, Accessories, On Board Spares, Tools, Technical Documentations and other items. Each item shall have the firm's part no. and break up price. The same is required essentially for incorporating GRSE material code nos. into the Purchase Orders and computer systems. In the event of delay in submission of the required details penalty @ ½% per week or part thereof upto the maximum of 5% of total value of all deliverables, shall be levied on the Supplier.

GRSE shall issue amendment to Purchase Orders incorporating the details receipt from the Supplier with GRSE Code numbers, individual prices etc. in advance of contractual delivery. While despatching the Supplier shall identify each item with GRSE code no. and the firm's part number. Packing list should indicate all deliverable items specially mentioning/ mounted on main equipment or loose items. Each item should be identified with metallic or plastic tag indicating both GRSE code no. and firm's part no. In case of any deviation, GRSE shall not be in any way responsible for delay in issue of receipt inspection report and payment.

All OBS are to be PIP packed. OBS and tools are to be supplied in separate boxes with clear identification and part numbers in metallic or plastic tag. Supplier's rep. is required during receipt inspection of loose items, accessories, spares and tools for easy identification and detection of shortfall.

- (b) All material shall be strongly and securely packed for shipment / transportation as applicable in minimum cubic space in such a manner as to prevent damage and pilferage in transit from point of shipment to final destination. Metal parts wherever necessary shall be well slushed with preservatives to prevent rusting in transit. Should it be proved that loss and damage has arisen from inadequate packing, the losses shall be borne by Sub-contractor / Supplier / Vendor. Each packing shall be plainly marked and numbered upon four sides and the top thereof as directed in the Purchase Order. Letters and numbers shall be atleast 80 mms. high wherever possible. Packing should indicate Case No., Order No., Gross Weight in Kgs., Nett Weight in Kgs. and outside dimensions LxWxH (The information on outside dimensions and weight shall be furnished to Purchaser atleast one (1) month prior to shipment / despatch). No marking other than as directed shall be inscribed on the said packages.
- (c) Every package shall contain a packing list in triplicate and the order number, package number, number of cases in the consignment, description and quantity of each item packed shall be clearly shown in the packing list. The description and quantity of each item shall tally with that specified in the order, wherever applicable.

**IN-302** Insurance:

**IN-302.1** In cases where the Sub-contractor's / Supplier's / Vendor's offers are for 'Free Delivery to Purchaser's Yard,' transit Insurance charges shall be borne by the Sub-contractor / Supplier / Vendor.

**IN-302.2** In case of Ex-works / Ex-Transporter's warehouse or Railway godown offers, the Sub-contractor / Supplier / Vendor shall give details of materials with despatch particulars and their value to Purchaser immediately after the despatch. The Insurance Charges will be borne by Purchaser.

**IN-303** Storage and Demurrage will be claimed from the Sub-contractor / Supplier / Vendor for all shipments that reach the purchaser without proper despatch documentations, Lorry Receipts not accompanied by packing lists, invoices etc. The Sub-contractor/ Supplier/ Vendor shall be responsible for fines due to errors or omissions in description, weight or measurements and for increased handling charges due to improper packing. Demurrage, if any, due to wrong/non-availability of shipping documents will borne by supplier/vendor.

**IN-304** Where so stipulated in the order, the Sub-contractor / Supplier / Vendor shall render such reports from time to time as regards the progress of the contract and in such a form as may be called for by the Purchaser. The Purchaser reserves the right to cancel the order forthwith without any financial implications on either side, if on completion of 50% of the scheduled delivery period the progress of manufacture is not to the satisfaction of Purchaser / Owner and failure on the part of the Sub-contractor / Supplier / Vendor to comply with the delivery schedule is inevitable. In such an event the Sub-contractor / Supplier / Vendor shall repay all the advances together with interest at prevailing bank rates from the date of receipt of such advances till date of repayment. The title of any property delivered to Purchaser will be reverted to the Sub-contractor / Supplier / Vendor at his cost.

**IN-305** The Sub-contractor / Supplier / Vendor shall arrange despatch of goods by Rail / Road consigned to GRSE through GRSE nominated transporter.. An Advance Copy of the invoice along with copies of other relevant documents shall be forwarded to Purchaser sufficiently in advance to avoid demurrage. In case of door delivery contracts, the Transporter shall be directed to deliver the ordered equipment without insisting for consignee copy of Lorry Receipt.

However, for manufacture of Naval Ships under Cost plus Contracts, GRSE is acting in the capacity of an Agent since Purchase Orders are issued by GRSE on behalf of Indian Navy under MOD, Govt. of India. Accordingly, in case of orders for supply to Naval Ships under cost plus contract, despatch document (challan / Consignment Note etc) and Invoice should be marked with the words "GRSE A/C INDIAN NAVY".

**IN-306**

- (a) The binding drawings called for as per the 'S. O. R.' / 'T. S. P.' or the Purchase Order shall be supplied within stipulated time frame as indicated in the Purchase Order, free of cost. Failure to comply may lead to cancellation of Purchase Order without any financial implications to the Purchaser.
- (b) The drawings shall be submitted to Inspecting Authority and or DGQA / NSM / GRSE / Classification Society, as appropriate, as specified in the Order. The onus of getting the drawings approved within the stipulated time frame shall lie with the supplier/vendor/sub-contractor.
- (c) Wherever applicable, pilot sample shall be submitted to the authorities within the stipulated time as specified in the Order.
- (d) In case of patternised items the vendor/supplier/sub-contractor must confirm that the relevant drawings are held by them and no waiver of contractual terms of order shall be considered for non-performance on this account.
- (e) For repeat orders, unless otherwise some changes in design had taken place, fresh approval of drawings will not be required if the same has already been approved. Supplier/vendor/sub-contractor shall go ahead with manufacture of the items which are already developed for same / deferment ships for Navy based on earlier approved drawings. Immediately on receipt of order, Supplier/vendor/sub-contractor shall submit 6 copies of drawings for stamping and distribution.

**IN-4.0** Guarantee / Warranty

**IN-401** The equipment/materials are to be guaranteed/warranted for satisfactory performance for the period of 12 months from the date of satisfactory commissioning of the vessel on which the equipment/materials/items are installed OR for the period of 36 months from the date of final dispatch, whichever expires earlier, against improper design, defective materials and faulty workmanship. During guarantee/warranty period any equipment or component thereof supplied by the vendor/sub-contractor, suffers due to defective material and or due to improper design and or due to defective drawing or due to faulty workmanship the vendor/sub contractor will assume full responsibility of rectification of such defective equipment or component thereof including direct expenses related to removal and re-positioning of the replacement/repaired equipment or component thereof and subsequent test & trial, incurred thereon without any financial implication to GRSE.

In the event Purchaser/Owner desires to have extension of Guarantee/Warranty period beyond the stipulated period, as above, the vendor/sub-Contractor/supplier shall quote for the same on monthly basis for the period of such extension.

**IN-402** If the defects intimated during the Guarantee period are not remedied within a reasonable / stipulated time, the Purchaser may proceed to rectify the defects at the Sub-contractor / Supplier / Vendor's risk and cost, but without prejudice to any other rights which the Purchaser may have against the Sub-contractor / Supplier / Vendor in respect of the failure of the Sub-contractor / Supplier / Vendor to remedy such defects.

 <b>GRSE Ltd.</b>	<b><u>STATEMENT OF TECHNICAL REQUIREMENT FOR SUPPLY OF TORQUE LIMITER CUM FLEXIBLE COUPLING FOR OCEANOGRAPHIC DAVIT &amp; WINCH.</u></b>	<b>SOTR NO: OW/SOTR/TORQUE LIMITER/202, Rev-0.</b>
<b>Project No: OCEANOGRAPHIC DAVIT &amp; WINCH</b>		<b>Page: 15 of 26</b>

- IN-403 *Inspection and approval of the equipment or material by the Inspecting Authority/ies does not absolve the Sub-contractor / Supplier / Vendor of the responsibility of guarantee for the equipment / material. It will be the sole responsibility of the Sub-contractor / Supplier / Vendor to ensure that the equipment / material supplied is complete in all respects and performs to its / their designed parameters.*
- IN-404 *In the event of Sub-contractor's / Supplier's / Vendor's failure to attend the Guarantee defects within a reasonable period of time, the Performance Bank Guarantee will be encashed by the Purchaser. The Purchaser's decision shall be final and binding on Sub-contractor / Supplier / Vendor in this regard.*
- IN-405 *Issues/Defects related to Guarantee/Warranty shall have to be liquidated at the location of vessel and as desired by the Purchaser / Owner.*
- IN-5.0 Quality Certification:
- IN-501 *Purchase preference will be considered in case the Sub-contractor / Supplier / Vendor is accredited with ISO 9000: 2000 or equivalent International Quality System Standards in respect of equipment / Products and or items on tender.*
- IN-502 *The Sub-contractor / Supplier / Vendor shall submit as proof, in Part-I of the bid documents, a copy of ISO 9000: 2000 or equivalent International Quality System Standards certificate valid as of date.*
- IN-503 *The Sub-contractor / Supplier / Vendor shall preferably engage sub-contractors and avail supplies from suppliers with prior approval of Purchaser and such sub-contractors and suppliers shall also be accredited with ISO 9000: 2000 or equivalent International Quality System Standards.*
- IN-504 *In the event the Sub-contractor / Supplier / Vendor is not being ISO 9000: 2000 accredited firm, the fact shall clearly be stated and the Quality Assurance / Quality Control organisation of the company be described in detail. Pursuant to scrutiny of such statement / documentation, the Purchaser may decide to accept the offer with pre-conditions specified for acceptance or reject the bid submitted.*
- IN-6.0 Terms of Payment:
- IN-601
- (a) *Unless or otherwise mutually agreed upon and stipulated in the Purchase Order, the terms of payment shall be 90% of Order value within 45 days from the date of receipt inspection and acceptance of material and presentation of bill supported with complete set of documents as under: -*
- (i) *Seven copies of signed invoice indicating Vendor Code Number and item wise price (indicating GRSE material code no. if in the order) along with packing lists. In case of orders for supplies to Naval Ships, invoice should be marked with the words "GRSE A/C INDIAN NAVY" for cost plus contract, as detailed in para IN- 305. However in case of fixed cost contract, Invoice will be in the name of GRSE.*
- (ii) *Warranty Certificate in triplicate.*
- (iii) *3 copies of Manufacturer's Works Test Certificate.*
- (iv) *3 copies of Certificate of Inspection and approval from LRS / IRS / ABS / DQA (WP) / DQAN / CQAE / WOT / GRSE (whichever is applicable).*
- (v) *3 copies of GRSE's unqualifying Inspection Cum Goods Receipt Note (ICGRN)*
- (vi) *Complete set of Classification / On board spares as per the Purchase Order.*
- (vii) *Complete set of operation / Maintenance / Instruction Manuals as per the Purchase Order and also in Electronic Medium.*
- (viii) *Complete set of Parts Identification List / Comprehensive Parts List as per the Purchase Order and also in Electronic Medium.*
- (ix) *Complete set of "As fitted" drawing and reproducible drawings.*
- (x) *Quotations for B & D spares for (a) 2 years operation and (b) 5 years operation.*
- (xi) *IIG Forms duly filled in.*
- (xii) *Standard Format for data provided by OEM as per ILMs requirement (Integrated Logistic Management System).*
- All the documents shall clearly indicate the GRSE's Purchase Order No. and date.*
- (b) *Balance 10% will be released after G.P. or against submission of PBG for equivalent amount (as per GRSE format & guidelines at Annex-3) valid till G.P.*  
*Issue of GRN: For materials received at GRSE without Inspection report of 3<sup>rd</sup> party, GRN will be issued to Local supplier for their submission of bill with GRN. But for materials received at GRSE with 3<sup>rd</sup> party Inspection report received from outstation suppliers, balance payment bill is to be submitted by suppliers with copy of clear & accepted ICGRN for further linking by Corporate Finance with GRN for processing balance payment.*
- (c) *Payment may be made to the vendors through Electronic Clearing System (ECS). Vendors are to furnish requisite documents / information on receipt of the order. (ECS Format for Bank Particulars and Payment Procedure enclosed at Annex.- 6)*
- (d) *In special cases and /or for development equipment where advance / stage payment is specified in order, all such payments shall be made against Bank Guarantee of equivalent amount in GRSE format valid till receipt and acceptance of material. No advance payment shall, however, be claimed without submission of binding drawing to Approving Authority. The advance payment may be released in stages depending upon the progress of work and mobilization of required equipments etc.*
- (e) *All advance payments should be interest bearing. Penal interest is to be charged on the advance in case of delay in delivery of supplies beyond the agreed schedule. Amount of Advance & Rate of interest will be decided by the Management / TC as appropriate.*
- (f) *Where order is cancelled and advance payments already released to the contractor, the contractor shall refund all such advance payments received to GRSE with prevailing Bank interests and GRSE shall also have the right to recover the amount from outstanding dues to the Contractor against any other Purchase Orders placed by GRSE.*
- (g) *Works Contract : In case of works contract following payment terms shall be followed:-*
- (i) *Material Portion :*  
*75% payment against despatch document, 15% payment against receipt & acceptance of material and balance 10 % will be released after G.P. or against PBG for equivalent amount valid till G.P.*
- (ii) *Labour Portion :*  
*90% payment on job completion and certification. Balance 10% will be released after G.P. or against PBG for equivalent amount valid till G.P.*
- OR**
- Where unit rate is mentioned, 90% payment progressively on job completion and Certification. Balance 10% will be released after G.P. or against PBG for equivalent amount valid till G.P.*
- (h) *If GRSE material code no. & itemised price is not incorporated in the order, supplier will submit detailed list of items (separately deliverables) and price break-up latest within 6 weeks of receipt of order to enable GRSE amend the order indicating material code no. of each item with its price.*

 <b>GRSE Ltd.</b>	<b><u>STATEMENT OF TECHNICAL REQUIREMENT FOR SUPPLY OF TORQUE LIMITER CUM FLEXIBLE COUPLING FOR OCEANOGRAPHIC DAVIT &amp; WINCH.</u></b>	<b>SOTR NO: OW/SOTR/TORQUE LIMITER/202, Rev-0.</b>
<b>Project No: OCEANOGRAPHIC DAVIT &amp; WINCH</b>		<b>Page: 16 of 26</b>

*All Invoices, Packing list etc should invariably indicate GRSE material code no. against each item for recording receipt and issue of ICGRN as well as for processing payment.*

- IN-602.1** *Octroi Duty at present is not applicable in West Bengal. However, Octroi Duty if applicable, at a later date, will be re-imbursed by Purchaser at actuals against submission of 'Original Octroi paid money receipt' and copy of Form 'B'. Octroi receipts are to be issued in the name of 'GARDEN REACH SHIP BUILDERS & ENGINEERS LTD.' only.*
- IN-602.2** *Way Bill – In West Bengal, Way Bill is to be issued for entry of materials from outside the state. GRSE will issue the Way Bill on submission of copy of Invoice and Consignment Note. Consignment Note should be in the name of GRSE.  
In case of Transit Sale, the name of the Consignors (other than seller) are to be mentioned in the P.O. and Consignment Note will be in the name of GRSE as consignee.*
- IN-603** *The Sales Tax Registration Number and Central Sales Tax Number, Service Tax Number, as applicable, are to be quoted on all invoices. Invoices shall be accompanied by a certificate to the effect that the Sub-contractor's / Supplier's / Vendor's registration certificate was in force on the day the sale was effected.*
- IN-604** *Unless otherwise stated Excise Duty, Sales Tax and any other statutory levies will be payable extra at actuals. However, the Sub-contractor / Supplier / Vendor shall submit the proof of having paid the duties / levies along with the Invoices / Bills.  
In case of orders for supplies to Naval vessels, Excise Duty exemption certificate issued by Indian Navy will be provided on readiness of items for despatch & GRSE is to be intimated by supplier / vendor / sub-contractor regarding readiness of items at least a month before despatch. Such exemption certificates shall be issued to Sub-contractors / Sub-vendors of Sub-contractor / Supplier / Vendor on whom Purchaser had placed a Purchase Order.*
- IN-604.1** *For supplies from States outside the state of West Bengal, Declaration Form "C" or "D" as applicable will be issued to the supplier for concessional rate of Sales Tax. In case of sale within the state of West Bengal, W.B.S.T. Form will be issued for concessional rate of Sales Tax.*
- IN-604.2** *Declaration Form can be issued to suppliers in case of transit sale, i.e. transfer of documents during the period of transit of the materials to obtain Sales Tax benefit.  
Invoice shall clearly indicate cost incidentals against each head, as applicable:  
Basic Cost, Excise Duty, Packing & forwarding charges, Central / State Sales Tax, Service Tax, Freight, Insurance, etc.*
- IN-605** *Payment made under one order shall not be assigned or adjusted to any other order except to the extent agreed upon in writing by the Purchaser. During the currency of the contract, if any sum of money is payable by the Sub-contractor / Supplier / Vendor the same shall be deducted from any sum then due or thereafter may become due to the Sub-contractor / Supplier / Vendor under the contract or any other contract with the Purchaser.*
- IN-606** *Works Contract Tax, wherever applicable, will have to be borne by Sub-contractor / Supplier / Vendor. In addition, Employees State Insurance premium, Provident Fund, Service Tax and other statutory dues of workers deployed at Purchaser's premises by Sub-contractor / Supplier / Vendor will have to be borne by him. In case of Works Contract Form 58 or 59 as applicable is to be submitted by the vendor/supplier/sub-contractor.*
- IN-607** Liquidated Damages / Risk Purchase:
- IN-607.1** *In the event that-*
- (a) *Sub-contractor / Supplier / Vendor (SELLER) fails to deliver the equipment / product or documentation meeting the requirement of the Purchase Order on or before the dates specified, or*
- (b) *The equipment / product when tested in accordance with the performance requirement of the Purchase Order, fails to meet those performance parameters, the buyer (Purchaser) will suffer damages in an amount that is not susceptible to calculation with reasonable certainty. Therefore, any Liquidated Damages set forth in the Purchase Order represent a reasonable determination of the amount of damages that the Purchaser will suffer, and are not in the way of penalties. Seller hereby waives any defence to Purchaser's recovery of such Liquidated Damages on the plea that actual damages are ascertainable or that such Liquidated Damages do not represent a reasonable determination of damages suffered by Purchaser or are penalties.*
- IN-607.2** *Sub-contractor / Supplier / Vendor (Seller) will be liable to pay Liquidated Damages for late delivery of Products, Manuals, Drawings and Documentation as stated in the Purchase Order. Unless otherwise expressly specified, the rate of Liquidated Damages for late delivery shall be at the rate of 0.5% of the total order value per week or part thereof of delay upto a maximum of 5% of the total order value. Such Liquidated Damages shall be deducted by the Purchaser from any monies due to Sub-contractor / Supplier / Vendor (Seller). Payments made by the Sub-contractor / Supplier / Vendor (Seller) of Liquidated Damages shall be in addition to any other remedies (other than any other remedy for the recovery of damages) available to the Purchaser, including without limitation the remedy of cancellation of Order for default.*
- IN-607.3** *Sub-contractor / Supplier / Vendor (Seller) will be liable to pay Liquidated Damages for late submission of Drawings for approval as agreed to by Purchaser and Sub-contractor / Supplier / Vendor (Seller) and as stated in the Purchase Order. The amount of such damages will be clearly defined in the Purchase Order and may extend upto 5% of the Order value.*
- IN-607.3.1** *Drawings submitted by the Sub-contractor / Supplier / Vendor (Seller) will be the property of Indian Navy.*
- IN-607.4** *If the equipment / article or any portion thereof be not delivered by the scheduled delivery date, the Purchaser shall be at liberty, without prejudice to the right of the Purchaser to recover Liquidated Damages / penalty as provided for in these conditions or to any other remedy for breach of contract, to terminate the contract either wholly or to the extent of such default. Amounts advanced or part thereof corresponding to the undelivered supply shall be recoverable from the Sub-contractor / Supplier / Vendor at the prevailing bank rate of interest.*
- IN-607.5** *The Purchaser shall be at liberty to purchase, manufacture or supply from stock as it deems fit, other articles of the same or similar description to make good such default and or in the event of the contract being terminated, the balance of the articles of the remaining to be delivered thereunder. Any excess over the purchase price, cost of manufacture or value of any articles supplied from the stock, as the case may be, over the contract price shall be recoverable from the Sub-contractor / Supplier / Vendor.*
- IN-607.6** *In case of unsatisfactory progress of supply at any point of time after placement of order GRSE reserve the right to cancel the order without assigning any reason and to procure the ordered material from any alternative source at your complete risk and cost.  
GRSE also reserves the right to cancel the order forthwith without any financial implications on either side if upon lapse of 50% of the scheduled delivery time the progress of manufacture is not up to the satisfaction of GRSE/Owner and the failure on the part of the sub-contractor/ supplier/vendor to conform to the delivery schedule is inevitable.*
- IN-608** Submission of Bills to SLP Section (Corporate Finance/GRSE)



 <b>GRSE Ltd.</b>	<b><u>STATEMENT OF TECHNICAL REQUIREMENT FOR SUPPLY OF TORQUE LIMITER CUM FLEXIBLE COUPLING FOR OCEANOGRAPHIC DAVIT &amp; WINCH.</u></b>	<b>SOTR NO: OW/SOTR/TORQUE LIMITER/202, Rev-0.</b>
<b>Project No: OCEANOGRAPHIC DAVIT &amp; WINCH</b>		<b>Page: 17 of 26</b>

The bills presently submitted to SLP Section by vendors for purchase orders placed by NCM / Purchase Department in respect of "SHIP DIVISION ONLY" will now be deposited in the Box kept at the entrance of the Corporate Finance Department (in front of Pantry). All suppliers are requested to drop their bills in sealed cover in the Box earmarked for, effective from 01<sup>st</sup> April, 2002.

Computer generated acknowledgement for the bills dropped during the previous day may be collected in the next working day from the Central Despatch Section, except Saturday.

Corporate Finance (SLP Section) will forward the computer generated receipts to Central Despatch Department by 11-00 hrs. everyday.

The supplier should ensure that all the bills are kept in a separate envelope orderwise and also mention their vendor code number for easy identification and registration. All enclosures are also to be firmly fixed with the bills and no responsibility will be taken by the SLP Section for alleged missing of documents. Bank Guarantee must be submitted separately in sealed closed cover of the Bank to the SLP Section AND NOT TO BE ENCLOSED WITH BILL.

For payment through ECS, bills will be deposited in the Box kept at the entrance of Corporate Finance Dept. as elaborated above. ECS Format of Bank particulars and Payment Procedure are enclosed at Annexure – 6 reference Clause IN 601(c) above.

- IN-7.0 Quality Assurance, Inspection, Testing and Commissioning Assistance:
- IN-701 The equipment will be inspected by one or more agencies indicated below and an inspection certificate(s) shall accompany the equipment.  
Statutory : M. M. D. or N. M. D.  
Regulatory: Classification Society–L.R.S./A.B.S/D.N.V/ I.R.S. etc.  
Specification: Survey, DQA(WP)/DQAN/CQAE, Classification Society.  
Others: Owners, W. P. S. (KOLKATA), GRSE
- IN-702 The articles to be supplied shall be strictly in accordance with the drawings/specification/statement of requisition (SOR) / samples indicated in the order.
- IN-703 The supplier /vendor/sub-contractor shall not sell, transfer, assign or otherwise dispose off the rights, liabilities and obligations under the contract without the previous consent of the purchaser in writing.
- IN-704 The articles shall be subject to Inspection and Quality Assurance by QA Authorities or their agents (Inspecting Officer) as specified in the order. The supplier/vendor/sub-contractor shall give 30 days' notice for inspection and will make necessary arrangements / provide necessary facilities to inspectors / nominated agency to carry out inspection / testing during course of manufacture/final inspection and testing as required. Formal Inspection Certificates will be issued by the relevant QA Authorities /Agents.
- IN-705 Immediately on receipt of order the supplier/vendor/sub-contractor shall get in touch with the Inspection Authority and submit Quality Assurance Plan. Exact scope, stages and parameters of inspection and test schedule shall be as per QA Plan duly approved by the QA Authority. All charges for inspection shall be borne by the suppliers/vendors/sub-contractor.
- IN-706 Receipt Inspection shall be carried out by GRSE-QA
- For materials supplied with long term preservation in sealed cases / cocoons, receipt inspection will be followed as per PRESERVATION at Cl. IN-112 above.
- IN-707 The price should be inclusive of inspection/approval/certification cost to meet the relevant requirement of the technical specification. This should also include the cost of furnishing shock calculations and type test results wherever applicable.
- IN-708 The supplier/vendor/sub-contractor shall furnish all relevant Inspection Certificates and Test & Guarantee Certificates along with each consignment and copies of same in triplicate shall also be mailed / forwarded to GRSE immediately on despatch of articles. The supplier/vendor/sub-contractor shall also provide 3 copies of weighed Weight Certificate for items supplied.
- IN-709 The decision of the inspecting authority or his agent, as the case may be, on any question of the intent, meaning and the scope of specifications / standards shall be final, conclusive and binding on the Sub-contractor / Supplier / Vendor.
- IN-710 REPLACEMENT FOR REJECTION :
- (a) Should the articles, or any portion thereof be rejected, the contractor shall collect the same from the purchaser's yard within 15 days from the date of intimation of such rejection to the supplier/vendor/sub-contractor and replace/rectify the same on top priority basis. Before collection of rejected items the supplier/vendor/sub-contractor shall furnish Bank Guarantee/Bank Draft of equivalent amount or accept GRSE holding back payment of their qualifying bills of equivalent amount till deficiencies are made good. The purchaser reserve the right to dispose off the rejected items at the end of a total period of 90 days in a manner to the best advantage to the purchaser and recover storage charges and any consequential damages, from sale proceeds of such disposal. Rejection of materials and also the late delivery will affect further business with GRSE.
- (b) The guarantee period of replaced parts /items shall however be reckoned from the date of replacement.
- (c) If the defects are not remedied within a reasonable/stipulated time, the purchaser may proceed to rectify the defects at the supplier/vendor/sub-contractor's risk & cost but without prejudice to any other rights which the purchaser may have against the supplier/vendor/sub-contractor in respect of their failure to remedy such defects.
- IN-711 The services of the Sub-contractor's / Supplier's / Vendor's Engineers shall be provided free of cost till Guarantee period / extended Guarantee period as required by the Purchaser to assist / supervise the installation, setting to work, commissioning of the equipment supplied by the Sub-contractor / Supplier / Vendor.
- IN-712 The Sub-contractor / Supplier / Vendor shall provide the requisite training for the Purchaser's / Owner's Personnel at Sub-contractor's / Supplier's / Vendor's/ GRSE's premises or on board the vessel where the equipment is installed, in respect of the equipment received from the Sub-contractor / Supplier / Vendor. The cost of travelling, lodging, boarding etc. shall be borne as mutually agreed to and detailed in the order.
- IN-713 The services of the Sub-contractor's / Supplier's / Vendor's Engineers shall be provided free of cost as required by the Purchaser to assist/supervise the installation, setting to work, commissioning, harbour and sea trials of the equipment supplied by the Sub-contractor / Supplier / Vendor for the periods as mutually agreed upon and as per the terms and conditions of the order.  
Should the Purchaser / Owner desire to avail services beyond the free service periods available against the contract, the Sub-contractor / Supplier / Vendor shall quote for the same on hourly / daily rate basis along with other terms and conditions, if any.
- IN-714 Conditions of tests and inspection requirements, if not held by the Sub-contractor / Supplier / Vendor are to be obtained from the Inspection Authority. Any / all other technical clarifications may be obtained from Inspection Authority directly, under intimation to Purchaser.
- IN-715 The Sub-contractor / Supplier / Vendor shall accord all facilities to Purchaser's Inspectors / Nominated Agency to carry out Inspection / Testing during course of manufacture / final testing.

 <p><b>GRSE Ltd.</b></p> <p><b>Project No: OCEANOGRAPHIC DAVIT &amp; WINCH</b></p>	<p><b><u>STATEMENT OF TECHNICAL REQUIREMENT FOR SUPPLY OF TORQUE LIMITER CUM FLEXIBLE COUPLING FOR OCEANOGRAPHIC DAVIT &amp; WINCH.</u></b></p>	<p><b>SOTR NO: OW/SOTR/TORQUE LIMITER/202, Rev-0.</b></p> <p>Page: 18 of 26</p>
---	---	---

IN-8.0

Miscellaneous:

IN-801

Force Majeure (as vetted by Min. of Law) :-

Should any force majeure circumstances arise, each of the contracting party shall be excused for the non fulfilment or for the delayed fulfilment of any of its contractual obligations, if the affected party within 15 days of its occurrence informs the other party in writing.

Force majeure shall mean fires, floods, natural calamities or other acts such as war, turmoils, strikes (as not limited to be establishment of the seller), sabotage, explosions, quarantine restrictions beyond the control of either party.

It is understood and agreed between the parties hereto that the rights and obligations of the parties shall be deemed to be in suspension during the continuance of the force majeure event as aforesaid and the said rights and obligations shall automatically revive upon the cessation of the intervening force majeure event. The period within which the rights and obligations of the parties shall be in suspension due to force majeure event shall not be considered as a delay with respect to the period of delivery and / or acceptance of delivery under the contract or otherwise to the detriment of either party.

Notwithstanding the provisions of the immediately foregoing clauses it is further understood and agreed between the parties hereto that in the event of any force majeure persisting for an uninterrupted period exceeding 6 (six) months, either party hereto reserves the right to terminate this contract upon giving prior written notice of 30 (thirty) days to the other party of the intention to terminate without any liability other than reimbursement on the terms provided in this agreement for the goods received.

IN-802

Arbitration:

Any dispute / differences between the parties arising out of and in connection with the contract shall be settled amicably by mutual negotiations. CMD/GRSE will be the Arbitrator. However unresolved disputes/ differences, if any, shall be settled by Arbitration and the arbitration proceedings shall be conducted at Kolkata (India) in English language, under the Indian Arbitration and Conciliation Act, 1996.

If, at any time, before, during or after the contract period, any unsettled claim, question, dispute or difference arises between the parties, upon or in relation to or in connection with or in any way touching or concerning this tender / agreement / supply order (retain whichever is applicable) the same shall be referred to the Chairman & Managing Director ( 'CMD' in short) or the Managing Director ('MD' in short), as the case may be of Garden Reach Shipbuilders & Engineers Ltd. (GRSE Ltd' in short ) for adjudication of the said disputes or differences, as Sole Arbitrator, in accordance with the provisions of the Arbitration and Conciliation Act, 1996.

The CMD or MD, GRSE Ltd. if he so desires, may nominate / appoint another officer of GRSE Ltd. or a person, whom he thinks fit and competent, for adjudication of the disputes or differences, referred to him as the Sole Arbitrator.

Such arbitration shall, in all respects, be conducted in accordance with the provisions of the Arbitration and Conciliation Act, 1996 and the rules framed thereunder or any statutory modification or re-enactment thereof for the time being in force.

The Award of the Sole Arbitrator shall be final, conclusive and binding upon the parties.

In the event of the death or resignation for any reason whatsoever of the said Sole Arbitrator, appointed by the said CMD or MD of GRSE Ltd., the CMD or MD of GRSE Ltd., on an application from either of the parties in this behalf, shall act himself as the Sole Arbitrator or nominate / appoint, in place of the outgoing Arbitrator, another officer of GRSE Ltd. or a person whom he thinks fit and competent to adjudicate the said disputes and differences in accordance with law.

Also in the event of an arbitration award is set aside by a competent court on an application from either party and unless otherwise ordered by the said court, the CMD or MD of GRSE Ltd., on an application from either party, shall himself act as Sole Arbitrator or nominate / appoint another officer of GRSE Ltd. or a person whom he thinks fit and competent to adjudicate the disputes and differences in accordance with law.

The cost of the arbitration, fees of the arbitrator, remuneration of the stenographer and clerk, stamp paper etc., as shall be decided by the Sole Arbitrator, shall be shared equally by the parties. The venue of arbitration, unless otherwise decided by the parties or by the Sole Arbitrator himself, shall be the premises of Garden Reach Shipbuilders & Engineers Ltd. located at 43/46, Garden Reach Road, Kolkata 700 024.

IN-803

Indemnification:

The Sub-contractor/Supplier/Vendor, his employees, licencees, agents or Sub-Vendor / Sub-contractor, while on site of the Purchaser for the purpose of this contract, shall indemnify the Purchaser against direct damage and / or injury to the property and/ or the person of the Purchaser or that of Purchaser's employees, agents, Sub-Contractors / Suppliers occurring and to the extent caused by the negligence of the Sub-contractor / Supplier / Vendor, his employees, licencees, agents or Sub-contractor by making good such damages to the property, or compensating personal injury and the total liability for such damages or injury shall be as mutually discussed and agreed to.

IN-804

Use of Undue Influence / Corrupt Practices:

(a) The Sub-contractor / Supplier / Vendor should give an undertaking that he has not given, offered or promised to give, directly or indirectly any gift, consideration, reward, commission, fees, brokerage or inducement to any person in service of the Purchaser or otherwise in procuring the contract or forbearing to do or for having done or forborne to do any act in relation to the obtaining or execution of the Contract with the Purchaser for showing or forbearing to show favour or disfavour to any person in relation to the Contract or any other Contract with the Purchaser. Any breach of the aforesaid undertaking by the Sub-contractor / Supplier / Vendor or any one employed by him or acting on his behalf (whether with or without the knowledge of the Sub-contractor / Supplier / Vendor) or the commission of any offence by the Sub-contractor / Supplier / Vendor or any one employed by him or acting on his behalf, as defined in Chapter IX of the Indian Penal Code, 1980 or the Prevention of Corruption Act, 1947 or any other Act enacted for the prevention of corruption shall entitle the Purchaser to cancel the contract and all or any other contracts with the Sub-contractor / Supplier / Vendor and recover from the Sub-contractor / Supplier / Vendor the amount of any loss arising from such cancellation. A decision of the Purchaser or his nominee to the effect that a breach of the undertaking has been committed shall be final and binding on the Sub-contractor / Supplier / Vendor.

(b) The Sub-contractor / Supplier / Vendor shall not offer or agree to give any person in the employment of Purchaser any gift or consideration of any kind as "Inducement" or "reward" for doing or forbearing to do or for having done or foreborne to do any act in relation to the obtaining or execution of the contract/s. Any breach of the aforesaid condition by the Sub-contractor / Supplier / Vendor or any one employed by them or acting on their behalf (whether with or without the knowledge of the Sub-contractor / Supplier / Vendor) or the commission of any offence by the Sub-contractor / Supplier / Vendor or by any one employed by them or acting on their behalf which shall be punishable under the Indian Penal Code 1980 or the Prevention of Corruption by Public Servants, shall entitle Purchaser to cancel the contract/s and all or any other contracts and then to recover from the Sub-contractor / Supplier / Vendor the amounts of any loss arising from such contracts' cancellation, including but not limited to imposition of penal damages, forfeiture of Security Deposit, encashment of the Bank Guarantee and refund of the amounts paid by the Purchaser.

(c) In case, it is found to the satisfaction of the Purchaser that the Sub-contractor / Supplier / Vendor has engaged an Agent or paid commission or influenced any person to obtain the contract as described in clauses relating to Agents / Agency Commission and use of undue Influence, the Sub-contractor / Supplier / Vendor, on a specific request of the Purchaser shall provide necessary information / inspection of the relevant financial document / information.

IN-805

Banned or de-listed Contractors:

The bidders shall give a declaration that they have not been banned or de-listed by any Government or quasi Government agencies or PSUs. If a bidder has been banned or de-listed by any Government or quasi Government agencies or PSUs, this fact must be clearly stated and it may not necessarily be a cause for disqualifying him.

IN-806

 <b>GRSE Ltd.</b>	<b><u>STATEMENT OF TECHNICAL REQUIREMENT FOR SUPPLY OF TORQUE LIMITER CUM FLEXIBLE COUPLING FOR OCEANOGRAPHIC DAVIT &amp; WINCH.</u></b>	<b>SOTR NO: OW/SOTR/TORQUE LIMITER/202, Rev-0.</b>
<b>Project No: OCEANOGRAPHIC DAVIT &amp; WINCH</b>		<b>Page: 19 of 26</b>

- a) *As a general rule, price negotiation with L1 vendor(s) will not be entered into as far as possible, unless warranted by unreasonable price quoted in the opinion of GRSE.*
- b) *During Technical and / or commercial negotiation in case the participating vendors indicate the need of submission of revised price bid but the same is not acceptable by competent authority in due course, GRSE reserves the right to consider such bid(s) to be disqualified on this ground under intimation to the relevant vendor(s) before price bid opening.*
- c) *Delivery schedule as mentioned above is our essential requirement. GRSE reserves the right to cancel the bid if the delivery requirement is not met.*
- d) *Please forward your confirmation on all commercial points for acceptance of your offer in tender data sheet.*
- e) *In case your offer is not submitted in two separate given data sheet, the same is liable to be rejected.*

\*\*\*\*\*

 <b>GRSE Ltd.</b>	<p align="center"><b><u>STATEMENT OF TECHNICAL REQUIREMENT FOR SUPPLY OF TORQUE LIMITER CUM FLEXIBLE COUPLING FOR OCEANOGRAPHIC DAVIT &amp; WINCH.</u></b></p>	<b>SOTR NO: OW/SOTR/TORQUE LIMITER/202, Rev-0.</b>
<b>Project No: OCEANOGRAPHIC DAVIT &amp; WINCH</b>		<b>Page: 20 of 26</b>



**GARDEN REACH SHIPBUILDERS AND  
ENGINEERS LIMITED, KOLKATA**

**PROJECT: OCEANOGRAPHIC DAVIT & WINCH**

**STATEMENT OF TECHNICAL REQUIREMENT  
FOR SUPPLY OF SUPPLY OF TORQUE LIMITER  
CUM FLEXIBLE COUPLING FOR  
OCEANOGRAPHIC DAVIT & WINCH.**

**SPECIFICATION NO: OW/SOTR/SL. CLUTCH/202**

**SECURITY**

*This document is the property of GRSE. The information contained in this document or any other information supplied subsequently about the system is not to be communicated to any third party without prior approval of GRSE.*

*Enclosure – 1*

<b>Revision No.</b>	<b>Reference</b>	<b>Approved By</b>
<b>Rev 0</b>	<b>Initial Issue</b>	<b>S. Gupta, DGM(D)(TU)</b>

 <b>GRSE Ltd.</b>	<b><u>STATEMENT OF TECHNICAL REQUIREMENT FOR SUPPLY OF TORQUE LIMITER CUM FLEXIBLE COUPLING FOR OCEANOGRAPHIC DAVIT &amp; WINCH.</u></b>	<b>SOTR NO: OW/SOTR/TORQUE LIMITER/202, Rev-0.</b>
<b>Project No: OCEANOGRAPHIC DAVIT &amp; WINCH</b>		<b>Page: 21 of 26</b>

## **CONTENTS**

Chapter	Description	Page No.
Chapter 1	<i>Introduction, General Specification</i>	4
1.1	<i>Introduction</i>	4
1.2	<i>General Specification</i>	4
1.3	<i>Units and Language</i>	4
Chapter 2	<i>Scope, Technical &amp; Material Specification</i>	5
2.1	<i>Scope</i>	5
2.2	<i>Technical Requirements</i>	5
Chapter 3	<i>Testing and Quality Assurance</i>	7
Chapter 4	<i>Guarantee and Certificate of Conformity</i>	8
Chapter 5	<i>On Board Spares</i>	9
Chapter 6	<i>Packing</i>	10
Chapter 7	<i>Documentation</i>	11
7.1	<i>Hard copy documentation</i>	11
7.2	<i>Soft copy documentation</i>	11
Chapter 8	<i>Commercial</i>	12
8.1	<i>Deviations</i>	12
8.2	<i>Warranty</i>	12
8.3	<i>Extension of warranty</i>	12
8.4	<i>Vendor Qualification</i>	12
Drawing as Annexure-1 to SOTR: OW/SOTR/SL. CLUTCH/202		

### **CHAPTER 1- INTRODUCTION, GENERAL SPECIFICATION**

#### **1.1 Introduction**

***This technical specification relates to testing & supply of 04 set Torque Limiter cum Flexible Coupling complete with all associated parts & OBS detailed in subsequent section for oceanographic davit & winch.***

***The supplier should submit the quotation based on this SOTR.***

#### **1.2 General specification of the item:**

***The supplied item should offer Backlash free operation and be suitable for Marine environment which can absorb axial, radial and angular misalignments meeting required torque /slipping torque limit as specified in succeeding paragraph.***

#### **1.3 Units and Language: Language shall be English. Metric units are to be used in drawings / documents.**

 <b>GRSE Ltd.</b>	<b><u>STATEMENT OF TECHNICAL REQUIREMENT FOR SUPPLY OF TORQUE LIMITER CUM FLEXIBLE COUPLING FOR OCEANOGRAPHIC DAVIT &amp; WINCH.</u></b>	<b>SOTR NO: OW/SOTR/TORQUE LIMITER/202, Rev-0.</b>
<b>Project No: OCEANOGRAPHIC DAVIT &amp; WINCH</b>		<b>Page: 22 of 26</b>

**CHAPTER 2 - SCOPE, TECHNICAL & MATERIAL SPECIFICATION**

**2.1 Scope:**

Firm is responsible for supply of **04 No Torque Limiter cum flexible coupling** along with following:

- a) Supply of 04 nos "C" spanner/ adjusting lever suitable for offered Torque limiters towards torque adjustment and spares of torque limiter and flexible coupling.
- b) Technical offer should comprise of General Arrangement (with complete dimension) drawing of the offered items along with installations, operation, torque adjustment procedure.
- c) Firm is necessarily required to participate in TNC / CNC meetings with GRSE post submission of their technical bid, followed by PNC meeting with selected vendor.

**2.2 Technical Requirements:**

***Firm is responsible for supply of Torque Limiter cum flexible coupling as per specification below:***

- (a) Nominal Torque: 166 Nm
- (b) Slipping Torque: 249 Nm (to be set by OEM prior dispatch)
- (c) Maximum Torque: 400 Nm
- (d) Operating Speed: 180 to 1800 rpm
- (e) Direction of operation: Bi-directional
- (f) Operation Type: Backlash free & Maintenance free operation
- (g) Sensitivity: High sensitivity and fast response towards immediate torque reduction / disengagement during overloading.
- (h) Angular misalignment: 0.9 degree
- (i) Radial Misalignment: 0.15 mm
- (j) Axial Misalignment: 2 mm
- (k) Hole Dia for input Shaft: 48 mm
- (l) Input Shaft Locking Arrangement: Keyway, suitable for key size 14x9
- (m) Hole dia for output Shaft: 40 mm
- (n) Output Shaft Locking Arrangement: Keyway, suitable for key size 12x8
- (o) Overall length: ~150 mm
- (p) Environment: Marine environment & open atmosphere.
- (q) Surface Treatment: Electroless Nickel Plating

**Note: Annexure -1 be followed as guidance drawing of torque limiter cum flexible coupling.**

 <b>GRSE Ltd.</b>	<p align="center"><b><u>STATEMENT OF TECHNICAL REQUIREMENT FOR SUPPLY OF TORQUE LIMITER CUM FLEXIBLE COUPLING FOR OCEANOGRAPHIC DAVIT &amp; WINCH.</u></b></p>	<b>SOTR NO: OW/SOTR/TORQUE LIMITER/202, Rev-0.</b>
<b>Project No: OCEANOGRAPHIC DAVIT &amp; WINCH</b>		<b>Page: 23 of 26</b>

**CHAPTER 3 – TESTING AND QUALITY ASSURANCE**

**3.1 Test Certificate:**

Test certificate with regard to afore-said technical requirement and ensuring pre-set value of slipping torque as mentioned above [refer para 2.2(b)] to be submitted during supply.

**3.2 Quality Certificate:**

Quality certificate in accordance with the technical requirement be submitted along with supply.

**CHAPTER 4 – GUARANTEE AND CERTIFICATE OF CONFORMITY**

**4.1 Certificate of conformity:**

A Certificate of conformity towards quality certification would be governed by quality control procedures to UNI EN ISO 9001-2015 and shall be submitted along with supply.

**4.2 Guarantee Certificate:**

Guarantee certificate for the complete item is be submitted along with supply.

**CHAPTER 5 – ON-BOARD SPARES**

**5.1 On Board Spares:**

*Firm has to indicate the spares in their offer and supply the same along with the equipment. The spare shall include Elastomer element.*

**CHAPTER 6 – PACKING**

**6 Packing / Dispatch:**

- (a) *Packing of the supplied items along with accessories shall follow standard method of packing. Packing shall be durable and suitable for normal storage up to 06 months.*
- (b) *Shipping / dispatch of the equipment / assembly along with documents at GRSE are in firm's scope.*
- (c) *All items supplied loose (as applicable) shall be listed on the packing list duly indicating OEM part number.*

 <b>GRSE Ltd.</b>	<b><u>STATEMENT OF TECHNICAL REQUIREMENT FOR SUPPLY OF TORQUE LIMITER CUM FLEXIBLE COUPLING FOR OCEANOGRAPHIC DAVIT &amp; WINCH.</u></b>	<b>SOTR NO: OW/SOTR/TORQUE LIMITER/202, Rev-0.</b>
<b>Project No: OCEANOGRAPHIC DAVIT &amp; WINCH</b>		<b>Page: 24 of 26</b>

**CHAPTER 7 - DOCUMENTATION**

**7.1 Hard copy documentation:**

*Two sets of following hard copy documents are to be supplied by firm at the time of delivery of the items:*

- (a) **Manuals & documentation:** *Manuals & documentation related to Installations, operation, torque adjustment procedure, periodic / breakdown maintenance (including requirement of lubrication / greasing, if any) are also required to be supplied.*
- (b) **Reports & Certifications:** *Reports & certificates (as per relevant clauses stated above) duly certified by inspection agency are to be supplied.*
- (c) **Weight Certificate:** *Final weight certificate of the assembled item is to be supplied.*
- (d) *All documentations are to be in English language.*

**7.2 Soft copy documentation:**

*One set of soft copy comprising of following are to be supplied by firm in CD/DVD format:*

- a) *All documentation as listed in SL 7.1*
- b) *GA drawings in AutoCAD and 3D model of the item is required in .stp format.*

**CHAPTER 8- COMMERCIAL**

- 8.1 Deviations:** The offer should contain a comparative statement of the requirements vis-à-vis specification of the respective items offered. In case the items offered are NOT fully conforming to the details given in the specification, the deviations are to be specifically spelt out with valid clarification. NO deviation shall be granted after placement of order.
- 8.2 Warranty:** The item with associated components is to be guaranteed for stipulated performance for a time period mentioned as per STAC / commercial clause. The item / assembly supplied shall be warranted for the said period and cover all the defects arising on account of manufacturing / performance due to use of inappropriate material, bad workmanship and non-conformance to specifications. Any expense for rectification / replacement of such defective equipment or components thereof within India relating to removal and repositioning of the replaced / repaired components / assembly / equipment thereof and subsequent test & trial, incurred thereto will be on the firm.
- 8.3 Extension of warranty:** Annual rate for the extension of warranty period be indicated in the offer, which may be exercised by GRSE at later date in the event of expiry of warranty (as detailed in para 8.2 above) period.
- 8.4 Vendor Qualification:** OEM should have sufficient experience for manufacturing of the item as detailed in this SOTR. Reputed manufacturers with due credentials are preferable for this project. Commercial clauses in support of vendor credentials may be referred in this regard.





GRSE Ltd.

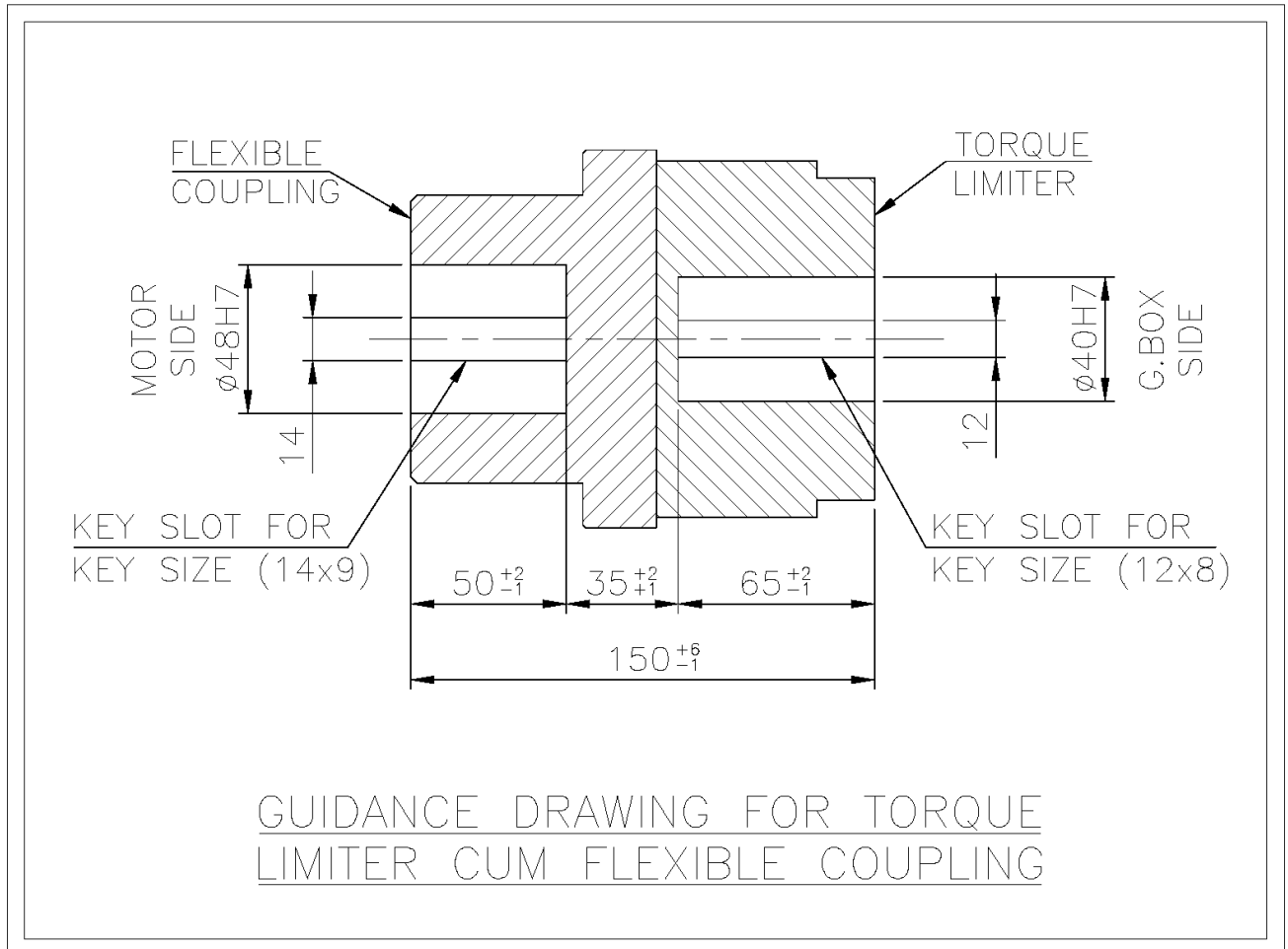
Project No:  
**OCEANOGRAPHIC  
DAVIT & WINCH**

**STATEMENT OF TECHNICAL  
REQUIREMENT FOR SUPPLY OF  
TORQUE LIMITER CUM FLEXIBLE  
COUPLING FOR OCEANOGRAPHIC  
DAVIT & WINCH.**

SOTR NO:  
**OW/SOTR/TORQUE  
LIMITER/202, Rev-0.**

Page: 25 of 26

**Annexure-1 to SOTR: OW/SOTR/SL. CLUTCH/202**



 <b>GRSE Ltd.</b>	<b><u>STATEMENT OF TECHNICAL REQUIREMENT FOR SUPPLY OF TORQUE LIMITER CUM FLEXIBLE COUPLING FOR OCEANOGRAPHIC DAVIT &amp; WINCH.</u></b>	<b>SOTR NO: OW/SOTR/TORQUE LIMITER/202, Rev-0.</b>
<b>Project No: OCEANOGRAPHIC DAVIT &amp; WINCH</b>		<b>Page: 26 of 26</b>